

FOODKING  
SERIES  
LVE-9

**LEKTRO-VEND**

SERVICE MANUAL



# TABLE OF CONTENTS

	PAGE
WARRANTY .....	1
GENERAL INFORMATION .....	2-3
SPECIFICATIONS .....	3
INSTALLATION .....	4-6
LABEL LOCATION .....	7
COLD FOOD SETUP .....	8-9
PRODUCT LOADING .....	10
CAROUSEL JAM REMOVAL .....	11
SOLENOID COVER PANEL REMOVAL (BACKSIDE COLD FOOD DOOR) .....	12
CHILLER REMOVAL .....	13
ELECTRICAL SERVICE SECTION .....	14-17
DETAILED OPERATION OF CONTROL BOARD .....	14-15
ERROR CODES .....	16
HEALTH SAFETY SENSOR RESET .....	16
HEALTH SAFETY TIMER SETUP .....	16
POWER BOX ASSEMBLY .....	17
CLEANING AND MAINTENANCE INSTRUCTIONS .....	18
POLYVEND SHIPPING POLICY .....	19-20
TROUBLE SHOOTING .....	21-22
TROUBLE SHOOTING GUIDE FOR CHILLER .....	23
DRAWING AND PARTS LIST .....	25
INSIDE FRONT DOOR DRAWINGS AND PARTS LIST .....	27-29
SHADOW BOX ASSEMBLY DRAWING AND PARTS LIST .....	30-31
COIN REJECT MOUNTING ASSEMBLY DRAWING AND PARTS LIST .....	32-33
SERVICE DOOR SWITCH ASSEMBLY DRAWING AND PARTS LIST .....	34-35
COLD FOOD CAROUSEL LOADING SWITCH ASSEMBLY .....	36-37
SERVICE DOOR SUPPORT ASSEMBLY DRAWING AND PARTS LIST .....	38-39
CHANGER MOUNTING ASSEMBLY DRAWING AND PARTS LIST .....	40-41
COIN BANK ASSEMBLY DRAWING AND PARTS LIST .....	42-43
KEYPAD MOUNTING ASSEMBLY DRAWING AND PARTS LIST .....	44-45
LAMP ASSEMBLY DRAWING AND PARTS LIST .....	45-47
CAROUSEL ASSEMBLY DRAWING AND PARTS LIST .....	48-49
CAROUSEL SHAFT ASSEMBLY DRAWING AND PARTS LIST .....	50
CABINET LEG DRAWING AND PARTS LIST .....	51
CHILLER ASSEMBLY DRAWING AND PARTS LIST .....	52-53
CHILLER ASSEMBLY COMPLETE DRAWING AND PARTS LIST .....	54-57
CABINET ASSEMBLY (INTERIOR) DRAWING AND PARTS LIST .....	58-59
CAROUSEL MOTOR ASSEMBLY DRAWING AND PARTS LIST .....	60-61
CABINET ASSEMBLY (REAR) DRAWING AND PARTS LIST .....	62-63
COLD FOOD DOOR ASSEMBLY DRAWING AND PARTS LIST .....	64-66
POWER BOX ASSEMBLY DRAWING AND PARTS LIST .....	66-69
POWER BOX SCHEMATIC .....	70
DUAL BALLAST ASSEMBLY .....	71
SHOPPER MOTOR RELAY HARNESS .....	72
CONTROLLER TRANSFORMER HARNESS .....	73
SHOPPER TRANSFORMER HARNESS .....	74
DOOR INTERLOCK SWITCH HARNESS .....	75
DOOR SOLENOID HARNESS .....	76
DOOR SOLENOID INTERCONNECT HARNESS .....	77
SHOPPER MOTOR FEED HARNESS .....	78
COLD FOOD LAMP FEED HARNESS .....	79

	PAGE
LAMP SOCKET ASSEMBLY .....	80
LAMP INTERCONNECT HARNESS .....	81
SHOPPER INTERCONNECT HARNESS .....	82
POWER FEED CONTROLLER HARNESS .....	83
HEALTH AND SAFETY HARNESS .....	84
BLOWER / HEATER STRIP HARNESS .....	85
DEX / UCS HARNESS .....	86
DOOR TRIM - TRON .....	87
DOOR TRIM - STERLING ROYCE .....	88
DOOR TRIM - SIGNATURE .....	89
DOOR TRIM - GENESIS .....	90
DOOR TRIM - PRESIDENTIAL WALNUT .....	91
DOOR TRIM - IMPERIAL CROWN .....	92
DOOR TRIM - PICA .....	93
DOOR TRIM - SLATE .....	94
DOOR TRIM - SILVER TRON .....	95
CHILLER UNIT SCHEMATIC .....	96
WIRING DIAGRAM .....	97

## **WARRANTY (LIMITED)**

Polyvend Inc. warrants this equipment to the ORIGINAL PURCHASER only, for a period of one (1) year from date of shipment, to be free from significant defects in material or workmanship, three (3) years on electronic components and one (1) year on vending door solenoids and light ballast to the extent such parts are warranted to Polyvend Inc. except for starters, light bulbs and fuses, which will be warranted for two months from the date of shipment. The refrigeration system consisting of the compressor, fan motors, thermostat, starter, thermal overload, condenser coil, evaporator coil are warranted for a period of one (1) year to the extent those parts are warranted to Polyvend, Inc. Should a failure occur on the cooling system within the warranty period, the unit is to be replaced and the defective unit returned to Polyvend. No refrigeration work is to be performed on a refrigeration unit. If such unit has been tampered with in any form, the warranty on this unit is void.

Should any part prove defective within the warranted period, Polyvend, Inc. will repair or replace (at its option) the defective component, but will not provide the labor, removal or reinstallation costs associated with such parts. All returned products or parts must be shipped, freight prepaid, to Polyvend and Polyvend will then prepay the shipping cost of the returned goods. Polyvend reserves the right to refuse any collect shipment. Any part returned under the terms of this warranty should be accompanied with a brief description of the defect of failure along with the model number and serial number.

This warranty applies only if the equipment is serviced and maintained in strict accordance with the instructions given in the Polyvend Service Manual that no unauthorized repair or disassembly has been done. Any defect caused by improper source of power supplied, abuse of the product, accident, alteration, vandalism, mineral build-up or improper cleaning or service techniques will not be covered by warranty.

Polyvend service or repair to items not in warranty will be subject to the standard service charge for repair of the failed components. For warranty or service information call or wrote to Polyvend Service Department.



# LEKTRO-VEND MODEL LVE-9 COLD FOOD MACHINE

The LEKTRO-VEND Series Model LVE-9 Cold Food Machine is a revolutionary new concept in vending equipment where bigger is not always better. It is developed to help the Operator increase his competitive position and to service locations where the need for a large cold food machine is not necessary, but the customer requires refrigerated food. With this machine, a location can be provided with all types of refrigerated items in the smaller quantities keeping the out-of-date food items to a minimum.

This machine comes equipped with nine shelves for cold food. These shelves can be set up with any combination of compartments from four (4) to twelve (12) and each "shelf" regardless of the number of compartments, is priced individually. The product delivery doors on the cold food are locked by solenoids. When the correct amount of credit is established and a selection button is pressed the solenoid for the corresponding selection door will release allowing the door to be opened. The Shopper System allows the customer to select any available item. Pushing the Shopper Button ("Press to View") bar on the front of the machine will allow the carousel to move 30 degrees or the equivalent of one small compartment. Pushing the Shopper Button will allow the carousel to turn continuously. The shopper system will not operate when any one of the following conditions exist:

- 1) A product door is open.
- 2) A vend is in progress.

## SPECIFICATIONS

HEIGHT ..... 72"  
WIDTH ..... 29"  
DEPTH ..... 34.5"  
SHIPPING WEIGHT ..... (APPROX) 590 LBS

## VENDING COMPARTMENT SPECIFICATIONS

The cold food compartments are pie shaped and the following are the approximate straight line dimensions. Actual size of containers that will fit the pie shaped are not considered.

Vertical clearances ..... 4 3/8"  
Front to Back Dimension ..... 8"  
Front of Pie (one corner to the other)

Compartments	Dimensions
12	4"
6	9 3/8"
4	16"

**COLD FOOD CAPACITIES**

The carousel trays can be configured from a maximum of 108 compartment (9 shelves with 12 compartments each) to a minimum of 36 compartments (9 shelves with 4 compartments each).

**ELECTRICAL SPECIFICATIONS**

PRIMARY VOLTAGE .....	110VAC
SECONDARY VOLTAGE .....	24VAC
MAXIMUM CURRENT .....	10AMP
VOLTAGE TO CHANGER .....	24V
VOLTAGE TO VALIDATOR .....	24V
VOLTAGE TO DOOR SOLENOIDS .....	24V

**REFRIGERATION SPECIFICATIONS**

COMPRESSOR .....	1/3 HP
MAX. CURRENT OF COOLING SYSTEM .....	7 AMP
REFRIGERANT .....	R-134A

NOTE: Polyvend Inc. is not responsible for faulty or overloaded circuits within the facility where Polyvend machines are installed. The exact load imposed by the machine is stated above. The sum of all devices connected to a particular circuit will determine the total line load. It is recommended that a separate electrical circuit be dedicated to these machines.



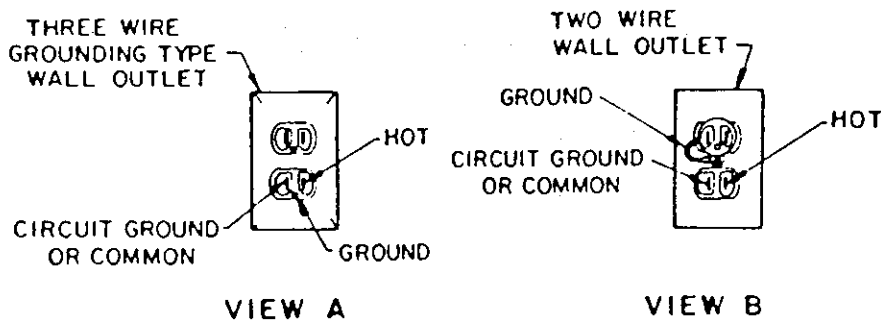
## INSTALLATION

- Remove all external packing material.
- Inspect equipment for shipping damage. If evident file claim immediately with the carrier (see Shipping Procedures).
- Remove key from coin return cup, unlock the service door and remove the shipping material.
- Check the operation of the service door and locking mechanism. They should operate smoothly and latch at all three locking plates.
- Make sure that the latch for the cold food door is functioning properly.
- Place machine into position and adjust leveling legs so the machine is level and all the legs sit firmly on the floor.
- It is extremely important to provide the machine with sufficient air flow for cooling. Provide a MINIMUM OF SIX (6) INCHES SPACING BETWEEN THE WALL AND THE BACK OF THE MACHINE.
- Install coin mechanism and bill validator as required.
- Plug service cord into 110VAC source using the three prong grounded plug provided. If a grounded outlet is not available, use a proper external ground on all locations.

**NOTE:** In order to comply with electrical safety regulations and Underwriters Laboratories requirements, all electrical equipment must be properly polarized and grounded. The Polyvend machine is wired so that it is properly polarized in accordance with the electrical code. If the wall outlet is wired and grounded properly, then the vending machine will connect properly.

Shown in views A and B are two properly grounded and polarized wall outlets. One is a three wire grounded type wall outlet (See View A) and the other is a two wire wall outlet (See View B) with an adapter in place.

Should the polarity at the wall outlet appear any way other than that shown below, the outlet should be rewired by qualified personnel.



**NOTE:** Polyvend Inc. is not responsible for faulty or overloaded circuits within the facility where Polyvend machines are installed. The exact load imposed by the machines is stated in the electrical specifications section. The sum of all devices connected to a particular circuit will determine the total line load. It is recommended that a separate electrical circuit be dedicated to these machines.

**CAUTION:** DISCONNECT POWER TO THE VENDING MACHINE BEFORE REMOVING THE CONTROL BOARD OR COIN CHANGER OR WORKING ON ANY ELECTRICAL COMPONENTS IN THE MACHINE.

- Test the coin mechanism and bill validator (If installed) to ensure smooth operation. If the operation of the coin mechanism is not smooth, check to make sure that you have proper alignment of the changer with the coin return lever.
- Load the coin tubes on the coin changer located on the front door of the machine. It is very important to fill the 25¢, 10¢ and 5¢ tubes for proper change pay back and operation of the bill validator (if installed). **NOTE:** The maximum amount of change a Coinco 9302LF will hold is \$38.60, \$23.00 in quarters, \$12.20 in dimes and \$3.40 in nickels. The maximum amount of change that a Mars TRC-6010XV will hold is \$29.95; \$16.75 in quarters, \$9.80 in dimes and 3.40 in nickels.
- Place the price stickers just above the selection number for each selection located to the right of each vend door. Set the prices of the products. (See price setting) Note: A changer must be installed in this machine in order to set prices in this machine. It is not necessary to have a bill validator installed in this machine for prices to be set. See page 7.
- Operate each vending dispenser, using coins. Operation should be smooth.
- In the large manila envelope is a sheet with the sticker "LOCATE FOOD HERE". Peel each sticker off and place it on the delivery door guide. The position should be in the center of the compartment that the selection will vend from. See page 7.

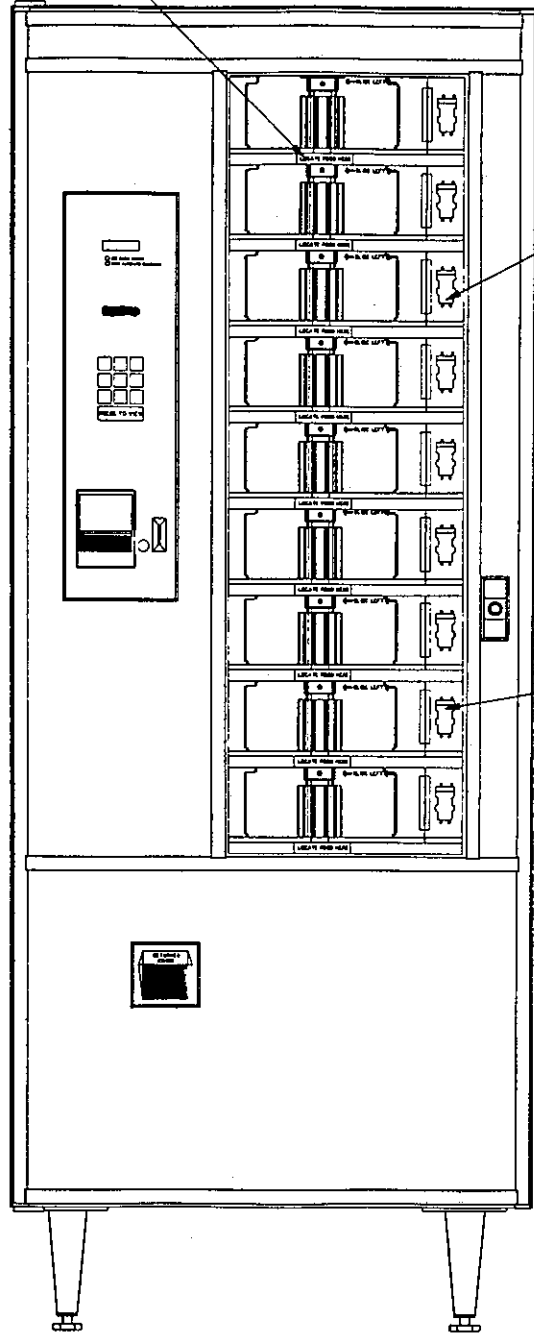


- Pull the loading switch out, rotating the carousel and load the machine with product. The loading switch is located on the inside of the refrigerated compartment on the left side at the top.

NOTE: It is imperative that the refrigerated compartment be pulled down to and cycling at the correct temperature (32 to 38 degrees F) prior to loading product.

- Check to make sure that the Vend Options are set to the desired settings. See section on Vend Options.
- There is a blower system designed to keep condensation from forming on the delivery doors. The system directs warm air across the delivery doors from the right side. Make sure that the blower is operating properly.

DECAL - "LOCATE FOOD HERE"  
 PART NO. 098-8064  
 THIS DECAL IS FOUND IN THE  
 PLOYVEND/LEKTROVEND LITERATURE  
 PACKAGE. PEEL EACH STICKER  
 OFF AND PLACE THE STICKER ON THE  
 DELIVERY DOOR GUIDE. THE  
 POSITION SHOULD BE IN  
 THE CENTER OF THE  
 COMPARTMENT THAT THE  
 SELECTION WILL VEND FROM.



SELECTION LABEL  
 PART NO. 19934  
 THIS STICKER IS FOUND  
 IN THE POLYVEND/LEKTROVEND  
 LITERATURE PACKAGE.  
 PLACE THE SELECTION LABEL  
 JUST BELOW THE PRICE  
 STICKER FOR EACH SELECTION  
 LOCATED TO THE RIGHT  
 OF EACH VEND DOOR.

PRICE STICKER  
 PART NO. 224-8081  
 THIS STICKER IS FOUND  
 IN THE POLYVEND/LEKTROVEND  
 LITERATURE PACKAGE.  
 PLACE THE PRICE STICKER  
 JUST ABOVE THE SELECTION  
 NUMBER FOR EACH SELECTION  
 LOCATED TO THE RIGHT  
 OF EACH VEND DOOR.

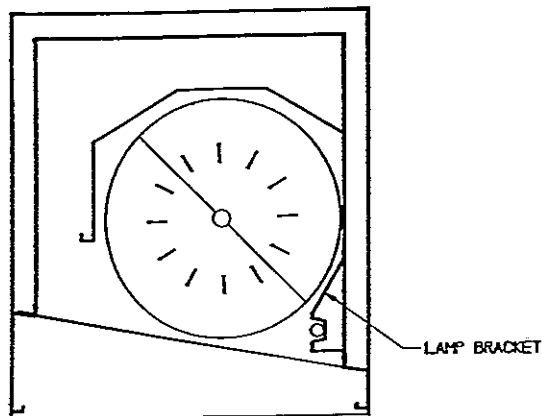
**LABEL LOCATION**

## COLD FOOD SETUP

### REMOVING TRAY HALVES

The tray halves can be easily removed to change the divider configuration for loading or for cleaning. They are removed by the following procedures:

1. Stop the carousel so that the tray section stops near the light fixture on the right side. See figure below.



CAROUSEL POSITION TO REMOVE OR  
INSTALL TRAY SEGMENTS.

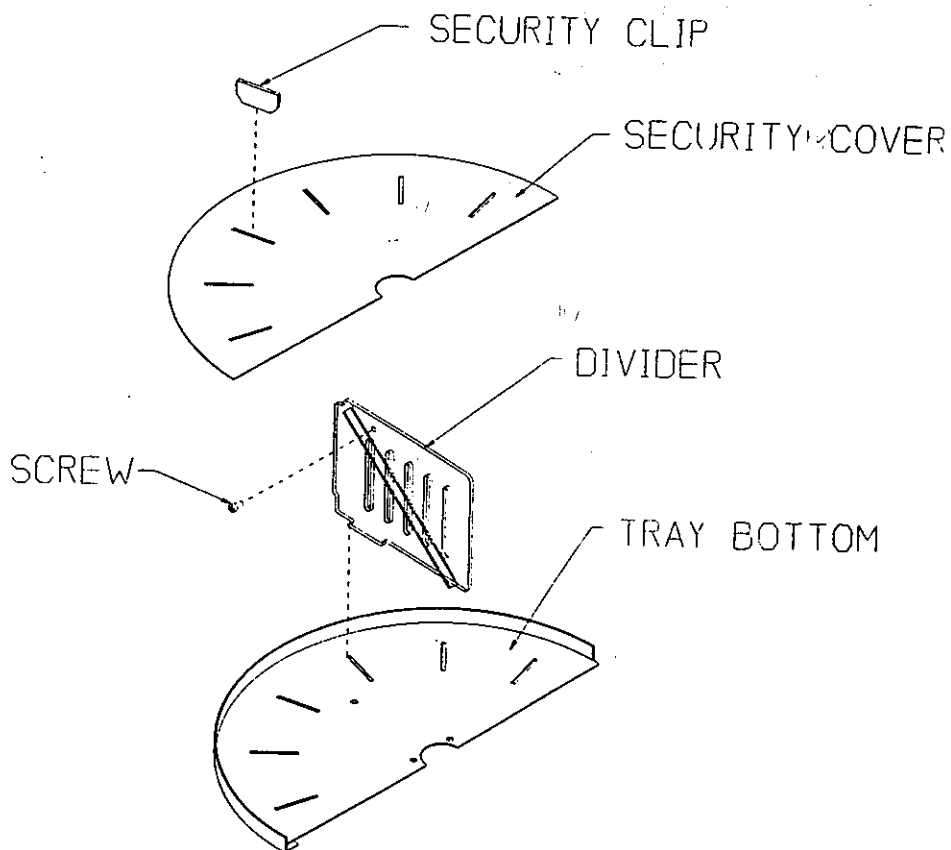
2. Underneath the center of the tray half is a leaf spring that is holding a stud attached to the tray. Pull down on the spring to release the tray outward towards you.
3. The rear of the tray is inserted into a groove in the collar that is attached to the tray column. A slight forward pressure may be required to disengage the rear of the tray from the groove.
4. The tray lips are designed with tabs that extend beyond the back edge of the tray. These tabs slip underneath the adjoining tray half to lock the two halves together and provide support for each other.
4. When the tray half is removed you will notice that the 12 and 6 compartment trays have a security top with clips that slip through the top and over the dividers. After changing the dividers or cleaning the tray replace the security covers and clips. These are required to keep the dividers from being bent sideways and allowing the food from being removed from the next compartment.

**CAUTION:** Always replace the security clips to prevent too much movement by the dividers.

## CHANGING DIVIDER POSITION

Divider positions can only be changed while the tray half is removed from the machine.

1. Remove the security top by removing the screw that holds each security clip in place and then remove the security clip. Once the security clips are removed, the security top can be lifted off the dividers.
2. Lift the rear of the divider first with a slight upward pressure. This allows the divider latch to slip out of the tray bottom. To replace the divider, reverse this sequence of steps.
3. Replace the security top and clips. Tighten each screw that holds the clips in place. Tray half is now ready to be installed in the machine.



## PRODUCT LOADING

To access the food compartment of your machine, you must:

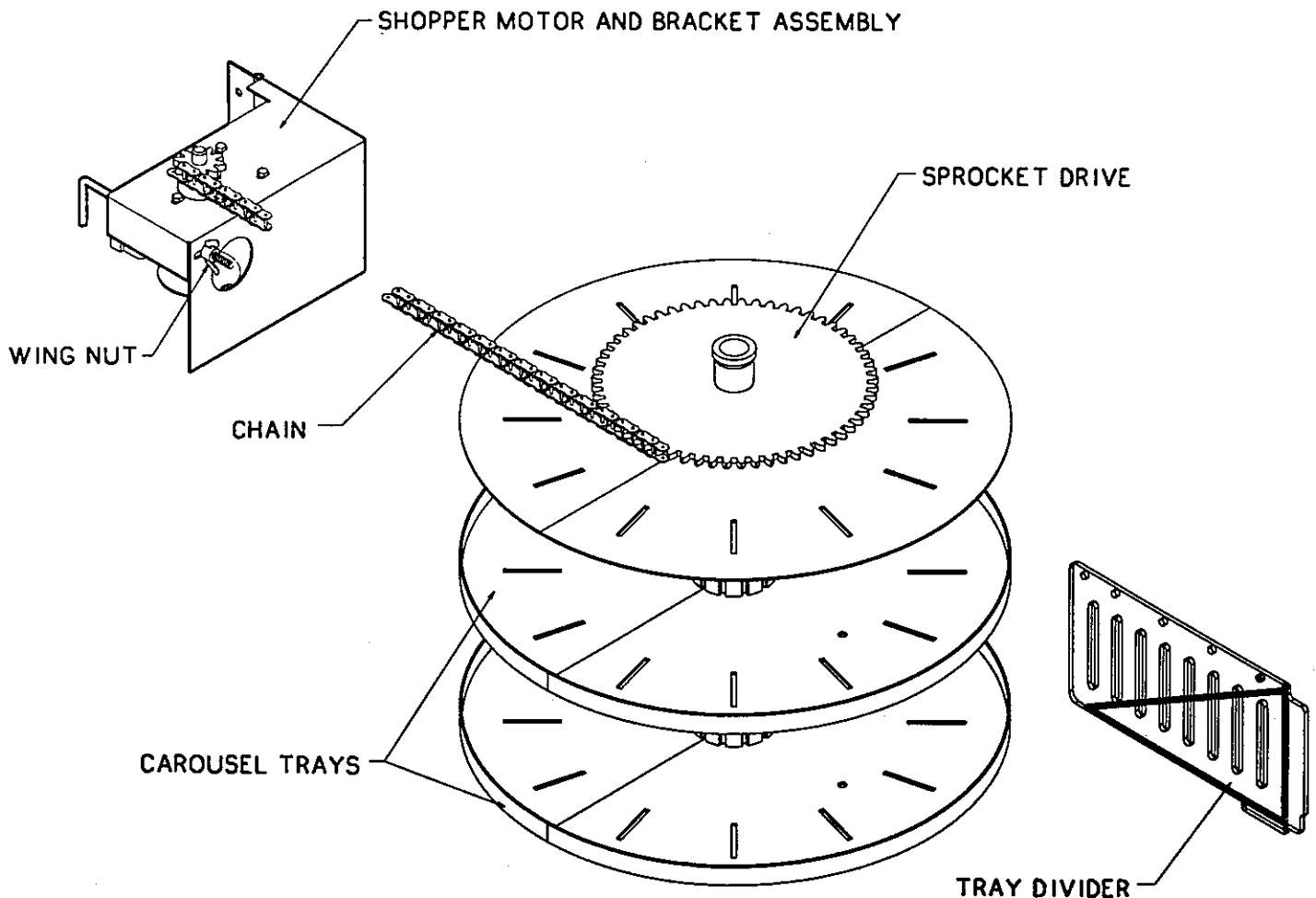
1. First open the main door as far as possible.
2. Release the inside door latch with the handle of the cold food door and open.

The carousel can then be rotated to the left by a two (2) position service switch located in the upper left hand corner of the cold food box.

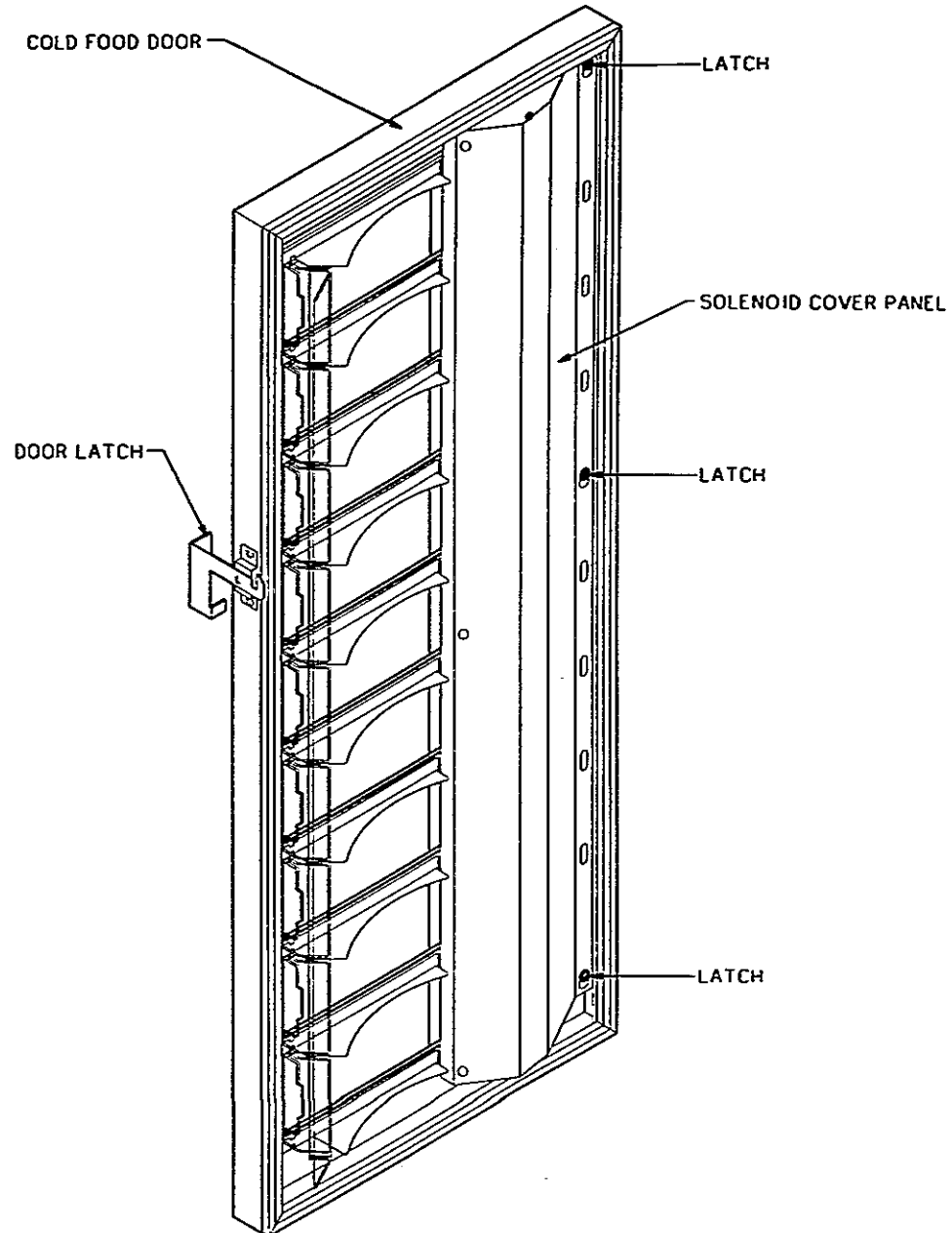
1. Push the switch in once and the carousel will move 30 degrees (1/12 of a rotation) for easy loading from top to bottom.
2. Pull the switch out and the carousel will rotate continuously for loading one shelf at a time.
3. Pushing the switch in will stop the rotation.
4. Close the cold food door and latch.

## CAROUSEL JAM

1. Should a carousel jam, loosen the wing nut on the shopper motor and bracket assembly until you can remove the chain from the sprocket.
2. Then take hold of one of the carousel trays and try to back up the carousel to un-jam it. Remove the cause of the jam.
3. Close the refrigerated door and check to make sure that the tray divider lines up with the right side of the vend door. If it does not line up, loosen the wing nut on the shopper motor and bracket assembly and move the chain over on the sprocket until the tray divider lines up with the right hand side of the vend door. After ensuring the proper alignment, tighten the wing nut down. Do not over-tighten the chain or the carousel motor may bind up.



## SOLENOID COVER PANEL REMOVAL

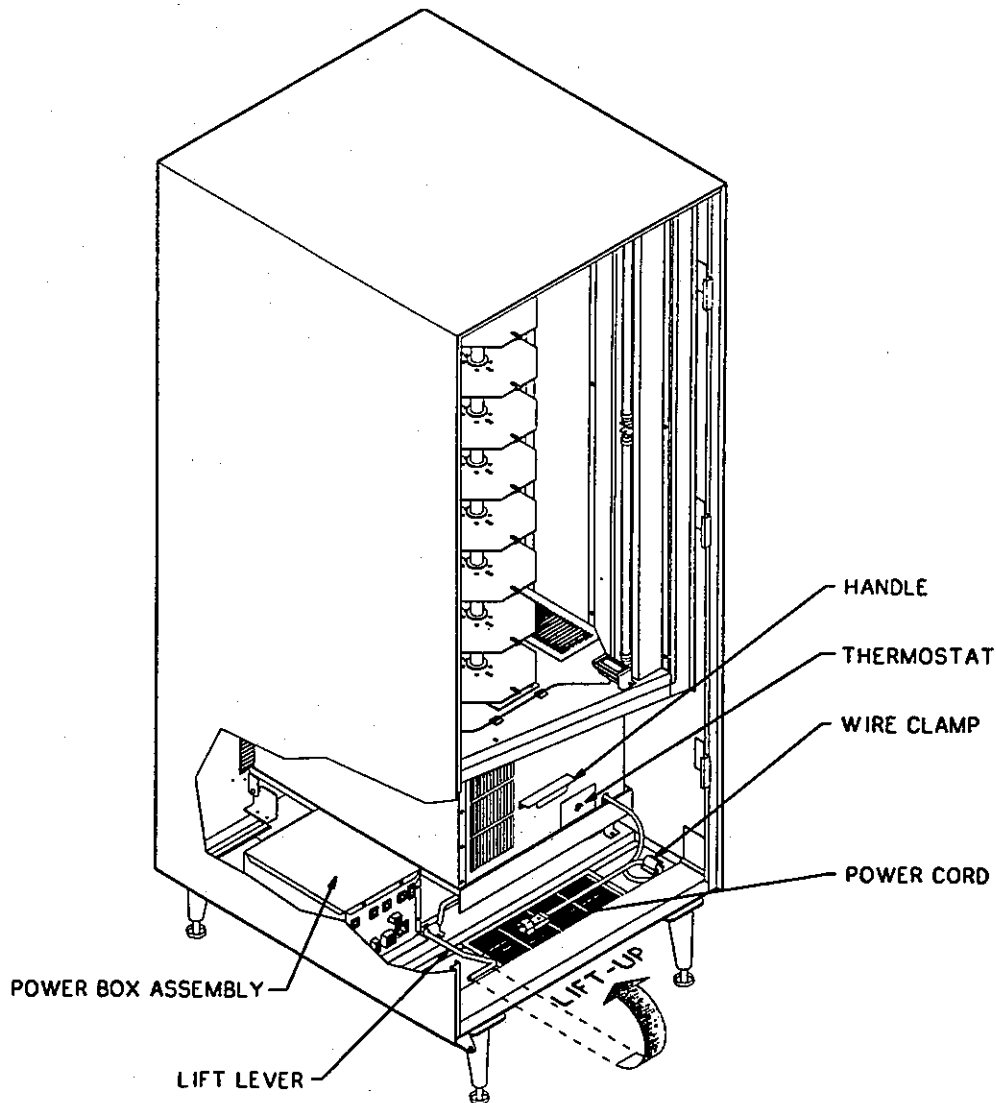


At some time, it may become necessary to remove the cover over the solenoids for service or maintenance. To remove the cover, open the front service door of the machine. Then unlatch and open the inside cold food door. Located on the back side of the cold food door is the solenoid cover. Take hold of the solenoid cover at the top and bottom and lift up firmly on the panel. The panel should move upward about 1/2" allowing you then to remove the panel. Set the cover out of the way. To reinstall the cover, simply reverse the process by repositioning the cover. Making sure that all points are latching, slide the cover downward about 1/2". Make sure that the cover is securely latched in place. If one of the latches is missed, the cover may rub on the carousel trays in that area. Close the front door and ensure that the cover is not rubbing against the carousel.

## CHILLER ASSEMBLY REMOVAL

To remove the chiller assembly from the machine, disconnect the chiller power cord from the power box and remove it from the wire clamp. Locate the chiller lift rod (3/8" round rod) which is mounted on the lower left front side of the chiller rack assembly. Lift up on the lever, which will lower the chiller and chiller rack assembly. Grasp the handle on the front of the chiller and lift up to clear the lip on the front of the chiller rack. Pull the chiller forward until it clears the lower machine compartment.

To re-install chiller, set the back of the chiller on the front lip of the chiller rack assembly with the thermostat towards the front of the machine and slide the chiller back until the front edge of the chiller drops down behind the front lip of the chiller rack assembly. CAUTION: When slipping the chiller into place, verify that chiller is setting down inside the rack assembly and not up on one side. When chiller is properly positioned in the chiller rack assembly, pull forward and down on the lift lever which will raise the chiller up, sealing it against the bottom side of the cold food compartment. When the rod is brought to its most downward position, this will lock the lift lever into place preventing the chiller or rack assembly from lowering without first raising the lever. Reconnect the power cord to the power box assembly and secure the cord with the wire clamp to prevent damage.





## **ELECTRICAL SERVICE SECTION**

### **MODES OF OPERATION**

The system will operate in one of two modes, sales or service. On power up (after completing configuration), the machine is in the sales mode. Service mode may be selected by pressing the mode switch mounted on the control board. The system will return to the sales mode if the mode switch is pressed or after 25 seconds of no service mode activity.

### **SALES MODE**

In the sales mode, the control board will control the dispensing of products according to customer credit and selection inputs. The control board will communicate with the coin mechanism and dollar bill validator (if installed) so, as credit is entered, it will be shown on the scrolling display. If there is inadequate change available, the coin mechanism will indicate that an exact change situation exists and the control board will illuminate the "Exact Change" light located just below the display.

When a customer makes a selection numbers 1 through 9, the accumulated credit will be compared to the price set for this selection and if the credit is equal to or exceeds the set price, the corresponding solenoid will be energized. If the vend is successful, the price will be deducted from the credit value and the change returned.

The vend will be considered unsuccessful if the vend solenoid does not receive sufficient current or fails to close within 12 seconds. The vend will not be attempted if the solenoid has already been detected as failed or if the machine selection made is not in the configuration of the machine. In any case, credit will not be deducted and the "Make Alternate Selection" light will flash until another selection is made.

If there is insufficient credit for the selection made, the price of that selection will be displayed for five (5) seconds, indicating additional money needs to be inserted. The person must either make another selection or enough credit is added. The price of the selection will be displayed during the vend.

If power should fail during a vend, the credit will be lost and the selected solenoid will drop back into the locked position. When power returns, the solenoid will NOT re-energize.

### **SERVICE MODE**

The service mode can be entered by pressing the "MODE SWITCH" located on the control board on the right hand side. By pressing the mode button, you will step through the different modes of the control board.

### **DETAILED OPERATION OF CONTROL BOARD**

At the time of delivery from Polyvend Inc. the control board will be set as follows:

1. All vend options will be off.
2. The cash accountability will be set to \$00,000.00  
NOTE: Due to factory testing the total will not be exactly \$00,000.00
3. The total number of vends will be 000000.  
NOTE: Due to factory testing the total will not be exactly 000000.
4. All prices will be set to \$00.50.

## **COIN DISPENSING (Ser 1)**

Press the service mode switch one (1) time and Ser1 will appear on the digital display. Press selection button #1 and nickels will be dispensed out of the changer. Press button #2 to dispense dimes and selection button #3 to dispense quarters.

## **PRICE SETTING (Ser 2)**

Press the service mode switch two (2) times and Ser2 will appear on the digital display. Press the selection button you wish to change the price of. Release the button and press it again and the price will go up in nickel increments. If you go past the price, release the selection button and press it again. To set the price of the next selection, press the selection number and repeat the price setting process. To return to the sales mode after setting all the prices, press the mode switch 6 times and 00 will appear on the display.

## **SERVICE VEND (Ser 3)**

To service vend a selection, press the mode switch three (3) times. The digital display will show Ser3. Press the selection number of vend solenoid you wish to test. The solenoid should release and the vend door allowed to be opened. To test vend a second solenoid, press the selection button for that selection and the solenoid will release allowing you to open the vend door. To return to the sales mode, press the mode switch five times.

## **ACCOUNTABILITY SYSTEM (Ser 4)**

To display the stored accountability, press the mode switch four (4) times. The digital display will show Ser4. For total cash accountability, press selection button #1 and the total amount of money the machine has taken in will be shown. To display the total number of vends for the machine, press selection button #2 to display the total vends by the machine. To return to the sales mode, press the mode switch four times.

Note: This item is not resettable.

## **CASH ACCOUNTABILITY BY SELECTION (Ser 5)**

To display the stored accountability, press the mode switch five (5) times. The digital display will show Ser5. For the total cash accountability for an individual selection, press the selection number you wish to check. The total sales for that selection will be displayed. To check an additional selection, press the selection number and the total cash accountability will be displayed. To return to the sales mode, press the mode switch three times.

## **TOTAL VENDS BY SELECTION (Ser 6)**

To display the total number of vends by selection, press the mode button six (6) times. The digital display will show Ser6. For the total number of vends of a selection, press the selection number. The total number of vends for that selection will be displayed. To check another selection, press the selection number of the selection you wish to check. To return to the sales mode, press the mode switch two times.

## **VEND OPTIONS (Ser 7)**

To enable or disable the vend option, press the mode switch seven (7) times. The digital display will show Ser7. Press selection button #1 to check the status of the Forced Vend feature. To change the status of this feature, press selection button #1 and the feature will be changed (example: feature is "on" it will then be turned "off"). Press selection button #2 for the status of the Multi-vend. To change the status of this feature, press selection button #2 and the feature will be changed. To return to the safe mode, press the mode witch one time.

## **ERROR CODES**

Er = 1 - Door is open

Er = 2 - High Temp error

## **HEALTH SAFETY RESET**

This machine has a high temperature sensor called a health safety. Should the temperature inside the refrigerated area be above 45 degrees, the health safety will shut down the machine. The carousel will not rotate, changer will not accept money and the indicator light will flash indicating "Make Alternate Selection". To reset the health safety switch, open the front door of the machine and press the mode button eight (8) times, until the control board returns to the sales mode (00 appears on display). Close the front door of the machine, starting the health safety timer. After 30 minutes have elapsed (60 minutes if control board is set for 60 minutes), the control board will check the health control (products will be vended during the 30 minute time period) and if the temperature is above 45 degrees the unit will be taken out of service. If the temperature is below 45 degrees, the unit will operate normally and vend from any selection. When a route person comes to load the machine, when they open and close the front door of the machine, the health safety will automatically be reset. Should there be a power failure, the health safety will check the temperature inside the cold food area and if the temperature is below 45 degrees, it will continue to vend properly. If it is above 45 degrees, it will then shut down the machine. There is also a service diagnostic indicator on the L.E.D. to let the operator know the status of the Health Safety Switch. On the display on the right hand side, there is a decimal point that when the Health Safety is open (temperature above 45 degrees), the decimal point is illuminated. When the Health Safety switch is closed, the decimal light will not be illuminated.

## **HEALTH CONTROL TIMER SETUP**

There is an option in this control board that will allow the operator to change the Health Control Time from 30 to 60 minutes. The time you choose is dependent upon the ambient environment conditions, time to load the machine and amount of warm products being loaded. The option from the factory will be set on 30 minutes. To change the Health Control time setting, open the front door of the machine and press the mode button located on the control board. Continue pressing the mode button until the digital display shows Ser7. Come around to the selection buttons on the front door and press selection button #3. The display will show the present status of the timer.

OFF = 30 minutes

ON = 60 minutes

To change the status of the option, release the #3 selection button and press it again. The option will then change. To lock in this option, press the mode button on the control board until 00 appears on the digital display.

## POWER BOX ASSEMBLY

The high voltage power supply is located in the bottom of the machine on the left side in the front area. The unit has circuit breakers which provide 110 volts and 24 volts to the machine. The circuit breakers function is from left to right. The first breaker to the left is to provide 24 volts to the control board. The second circuit breaker provides the 24 volts to the carousel motor assembly. The third circuit breaker provides 110 volts to the lights in the machine. Located inside of the power box is the ballast for the fluorescent lights, the step down transformer for the control board, step down transformer for the carousel motor, carousel rotation control relay and the RFI filter.

## **CLEANING AND MAINTENANCE**

### **A. PAINTED SURFACES**

All painted surfaces and the vinyl covered surfaces can be cleaned with a clean cloth and any common brand of household detergent. Do not use harsh abrasive materials on these surfaces, they will scratch the paint or vinyl.

### **B. VEND DOORS**

The vend doors can be cleaned with any common brand of window cleaner and a soft cloth. **DO NOT USE** harsh abrasive cleaners on the doors. Never use paper products to clean the vend doors. It will cause scratches to appear.

**DO NOT USE ANY KIND OF SOLVENT ON THE DOORS.** Solvents will cause the vend doors to cloud up.

**C. CLEAN** the condenser area on the rear of the machine and small filter located on the front of the chiller unit as required.

**D. LUBRICATE** the following components every six months with white grease, grade 2 high/low temperature grease or equivalent, the top outer-door hinge, bottom outer-door hinge, door locking plates and inner door hinges.

## **COLD FOOD SANITATION**

The following are the cleaning procedures for the cold food area. It is recommended that the local health inspector be consulted for full requirements on sanitation of cold food machines.

1. All surfaces that come into direct contact with food must be cleaned with warm water and a mild detergent at all regular service intervals.
2. After cleaning food contact surfaces rinse with clean, potable water.
3. Sanitize food contact surfaces with a good grade chemical sanitizing solution (chlorine, iodophor, etc.).
4. Allow all food contact surfaces to air dry.

## **SHIPPING POLICY**

The following information is to assist you in assuring safe delivery of your merchandise and in expediting of freight damage claims.

Our terms of sale are F.O.B. our factory. The responsibility for damage in transit is the carrier's whether it be visible or concealed damage. We have taken every precaution to ensure safe arrival of this equipment, but our responsibility ceases the moment the shipment is turned over to the carrier.

Acceptance of this shipment by the carrier is an acknowledgment that the equipment was delivered to them in good condition and properly packed. The carrier who delivers this merchandise to your door is responsible for its safe delivery.

### **PROCEDURE FOR VISIBLE DAMAGE**

1. IT IS VERY IMPORTANT TO INSPECT ALL FREIGHT DELIVERIES, WHETHER MACHINES OR PARTS, IMMEDIATELY. If there is any visible damage you have the right to either refuse the merchandise or accept the damaged shipment. If you accept it, make certain that you have the delivery personnel note the nature and extent of damage on the freight bill.
2. After you determine the extent and cost of the damage, notify the delivering carrier's office by phone and confirm with a written notice within 15 days requesting an inspection of the damaged merchandise. Keep a copy of the inspection request for claim purposes. Do not destroy the packing material until shipment is inspected and claim is settled.
3. When the inspector arrives, ask for a claim form. In filing a claim, you may make a cash settlement with the carrier for the full invoice price of the merchandise or contact Polyvend Inc. at 1-501-327-1301 and make arrangements to have merchandise returned for repair and file a claim for repair charges. Do not return "DEADHEAD". Do not claim more than the cash price of the machine, plus freight.

### **SHOCK WATCH PROCEDURE**

On each machine shipped out of Polyvend Inc., there is an indicator called a Shock Watch, which will turn from white to red if the machine has received a severe impact. The shock watch is a red hexagon shaped label mounted on the front door of the machine. Just above the shock watch will be a label on the outside of the machine with instructions on what to do when the machine is received and what to do if the shock watch has changed color from white to red.

Inspect the shock watch "IMMEDIATELY" upon receipt of the machine. DO NOT SIGN THE BILL OF LADING until you have inspected the shock watch to see if it has turned from white to red. If the shock watch has turned red, note this on the bill of lading. Inspect the machine "IMMEDIATELY" for damage both on the exterior and interior of the machine. If damage is found, follow the procedures for concealed damage.

### **PROCEDURE FOR CONCEALED DAMAGE**

1. If there is no visible damage, YOU MUST OPEN THE SHIPMENT WITHIN 15 DAYS AND INSPECT FOR CONCEALED DAMAGE. If there is concealed damage, notify the delivering carrier by phone immediately asking for an inspection. Confirm the request in writing and keep a copy for claim purposes. If you fail to notify the carrier within 15 days of delivery by telephone and in writing, the freight company is no longer liable for damage and will probably refuse your claim. Do not destroy packing material until shipment is inspected and claim is settled.

2. After inspection by the carrier, file a claim for damages at once. On concealed damage, unless it can be proven that the carrier is responsible for the damage, they will probably want to settle on a compromise basis. Therefore, the faster you inspect your delivery and notify the carrier, the better the chances for full settlement. If the claim is disallowed, check on the possibility of a compromise.

## **PROCEDURES FOR SHORTAGES**

1. If the shipment delivered to you is not in accordance with the quantity of cartons shown on your receipt, do not accept it until shortages are noted on the Freight Bill or Bill of Lading and signed by the truck driver. Failure to do this releases the carrier from any responsibility.

2. If the shorted item is not delivered within a reasonable time, file a claim with the delivering carrier for the invoice or cash price of that item.

**NOTE:** Claims for loss or damage will NOT BE DEDUCTED FROM YOUR INVOICE while you wait adjustment of such claims.

## TROUBLESHOOTING

### HEALTH CONTROL

**A. SYMPTOM: HEALTH CONTROL CIRCUIT DROPS OUT AND MACHINE SAYS "MAKE ALTERNATE SELECTION".**

1: Possible Cause: Temperature inside refrigerated area above 45 degrees. Use an accurate thermometer to check.

1: Possible Solution: Check cooling system:

A. Thermostat set too warm.

B. Chiller frosted up, cabinet too close to wall, minimum distance 6" from wall.

2: Possible Cause: Defective Health and Safety control.

2: Possible Solution: Remove power to control board. Unplug electronic health control harness from plug J-9 on control board. Install special jumper plug (contact Polyvend Service Department to obtain one) on control board plug J-9. Reset health control and if it does not kick out, health and safety control is defective. Replace.

3: Possible Cause: Defective wiring or wiring connection.

3: Possible Solution: Inspect wire harness for bad connection or break in wiring from health control sensor to control board. Using an ohmmeter with power removed, test each wire from the health control sensor to the connection on the control board for the health control.

4: Possible Cause: Defective control board.

4: Possible Solution: Replace control board.

### CAROUSEL ASSEMBLY

**A. SYMPTOM: THE CAROUSEL WILL NOT ROTATE WHEN THE COLD FOOD "PRESS TO VIEW" BUTTON IS PRESSED.**

1: Possible Cause: A delivery door is part way open.

1: Possible Solution: Make sure all delivery doors are closed.

2: Possible Cause: Press the "Press to View" bar, the carousel rotation relay should energize inside of the power box. Defective or incorrectly adjusted door switch arm on solenoid assembly. Try inside loading button. If carousel rotates, problem is in door side of carousel rotation system.

2: Possible Solution: Test each door switch. You can lift up on the arm of the door switch and an audible click should be heard. If not, adjust the switch arm until a click is heard when the arm is lifted. If the switch continues to not operate, check the switch out with an ohmmeter and replace if defective.

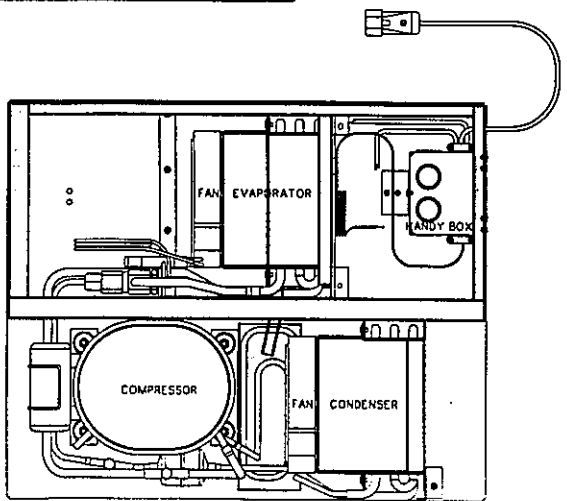
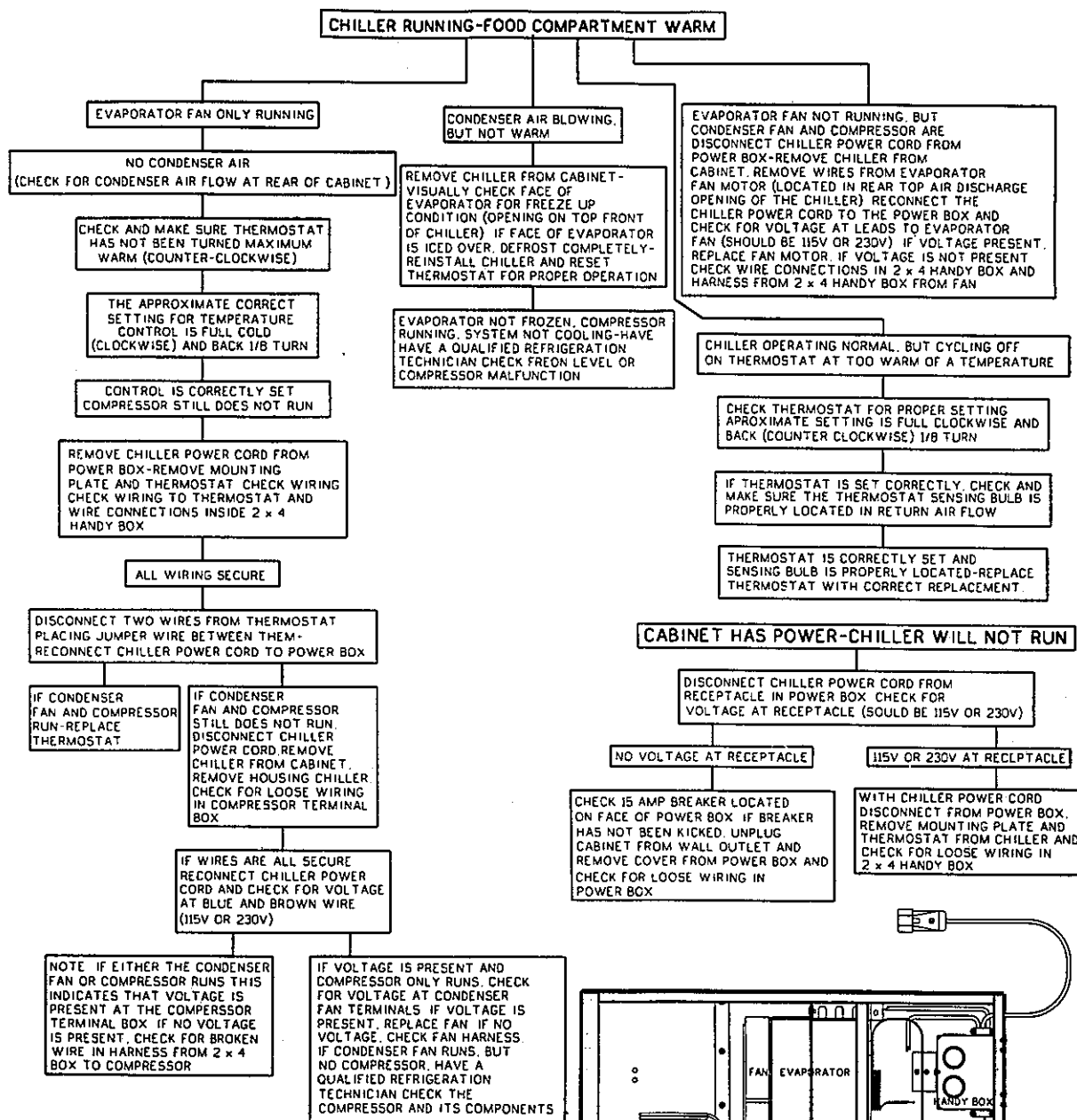
3: Possible Cause: The outside carousel "Press to View" keypad is defective.

3: Possible Solution: Replace keypad.



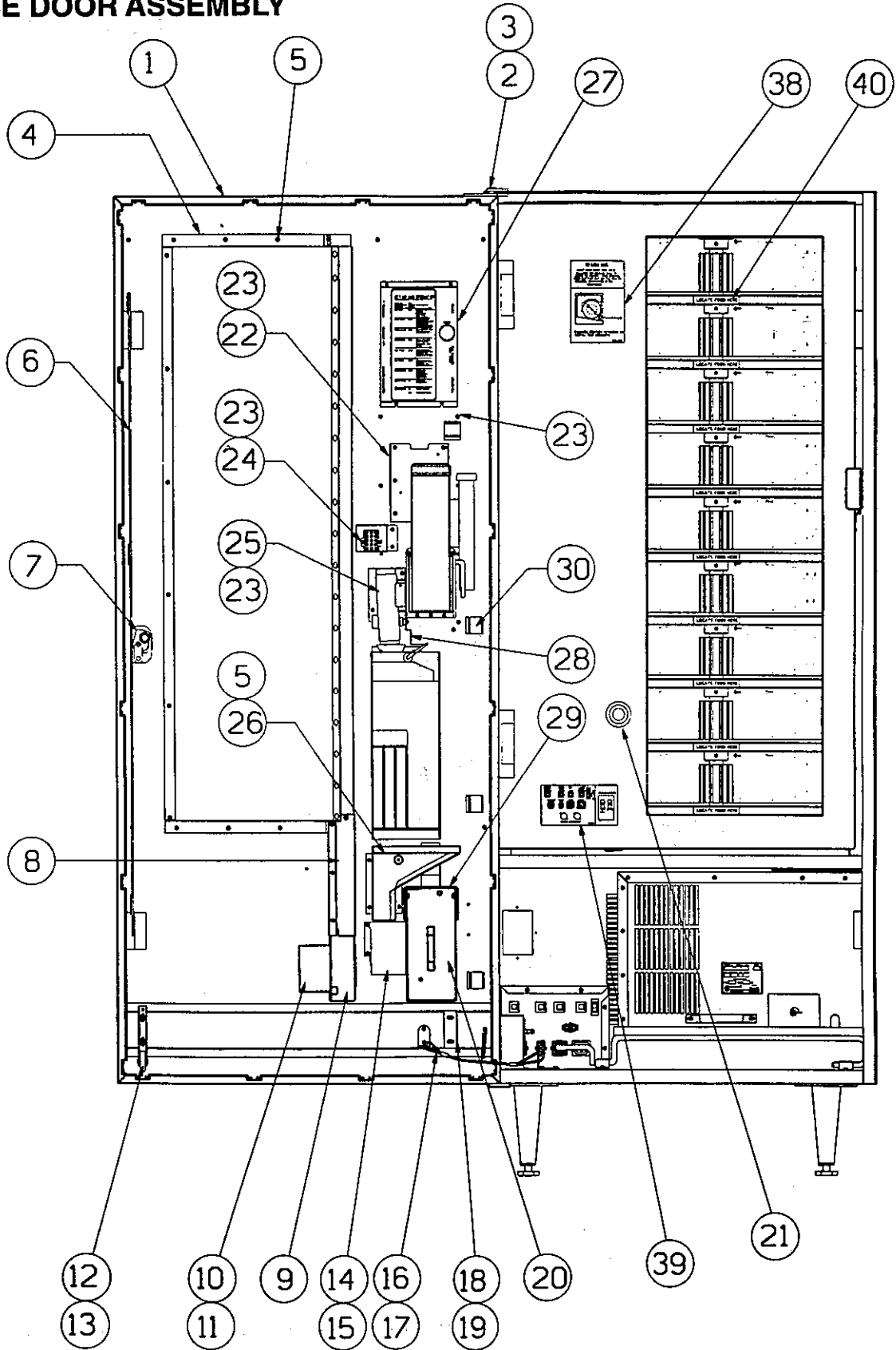
- 4: Possible Cause: Press loading switch inside cold food area. If carousel does not turn, the carousel motor is defective or no 24 volts is present.
  - 4: Possible Solution: Check to insure that 24 volt is present. If voltage present, replace carousel motor. If 24 volts is present, check 10 amp circuit breaker to see if it is tripped. If circuit breaker is okay, check output of the carousel transformer.
  - 5: Possible Cause: Defective wiring or wiring connections.
  - 5: Possible Solution: Using the schematic for the Food King, check the electrical circuit from the power box to the carousel motor.
  - 6: Possible Cause: Defective carousel rotation relay located inside of power box.
  - 6: Possible Solution: Using a voltmeter, check to see if 24 volts is applied to the relay when the "Press to View" bar is pressed. If voltage is present, relay defective.
- B. SYMPTOM: CAROUSEL WILL NOT STOP ROTATING.**
- 1: Possible Cause: Stepping switch on carousel motor assembly out of adjustment.
  - 1: Possible Solution: Remove the top two trays in the carousel assembly, loosen the four screws on top of the motor mounting bracket holding the motor in place and move the motor closer to the stepping switch (only a slight amount of movement is necessary). Tighten the screws and test unit.
  - 2: Possible Cause: Carousel motor brake defective.
  - 2: Possible Solution: Replace carousel motor.

## TROUBLE SHOOTING GUIDE FOR CHILLER



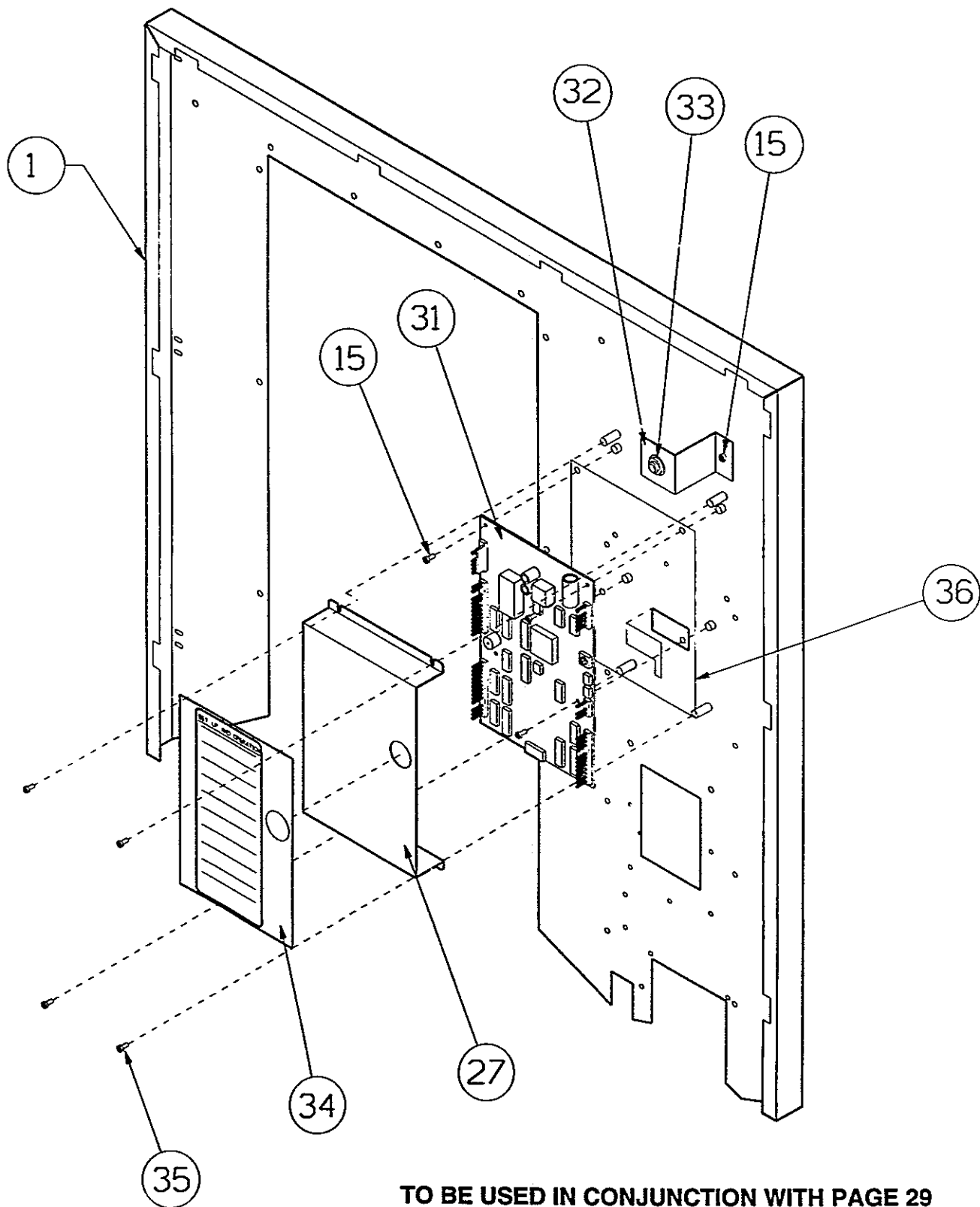
# **DRAWINGS & PARTS LISTS**

**SERVICE DOOR ASSEMBLY**



**TO BE USED IN CONJUNCTION WITH PAGE 29**  
**NOTE: SERVICE DOOR SHOWN IN OPEN POSITION**

**SERVICE DOOR ASSEMBLY**

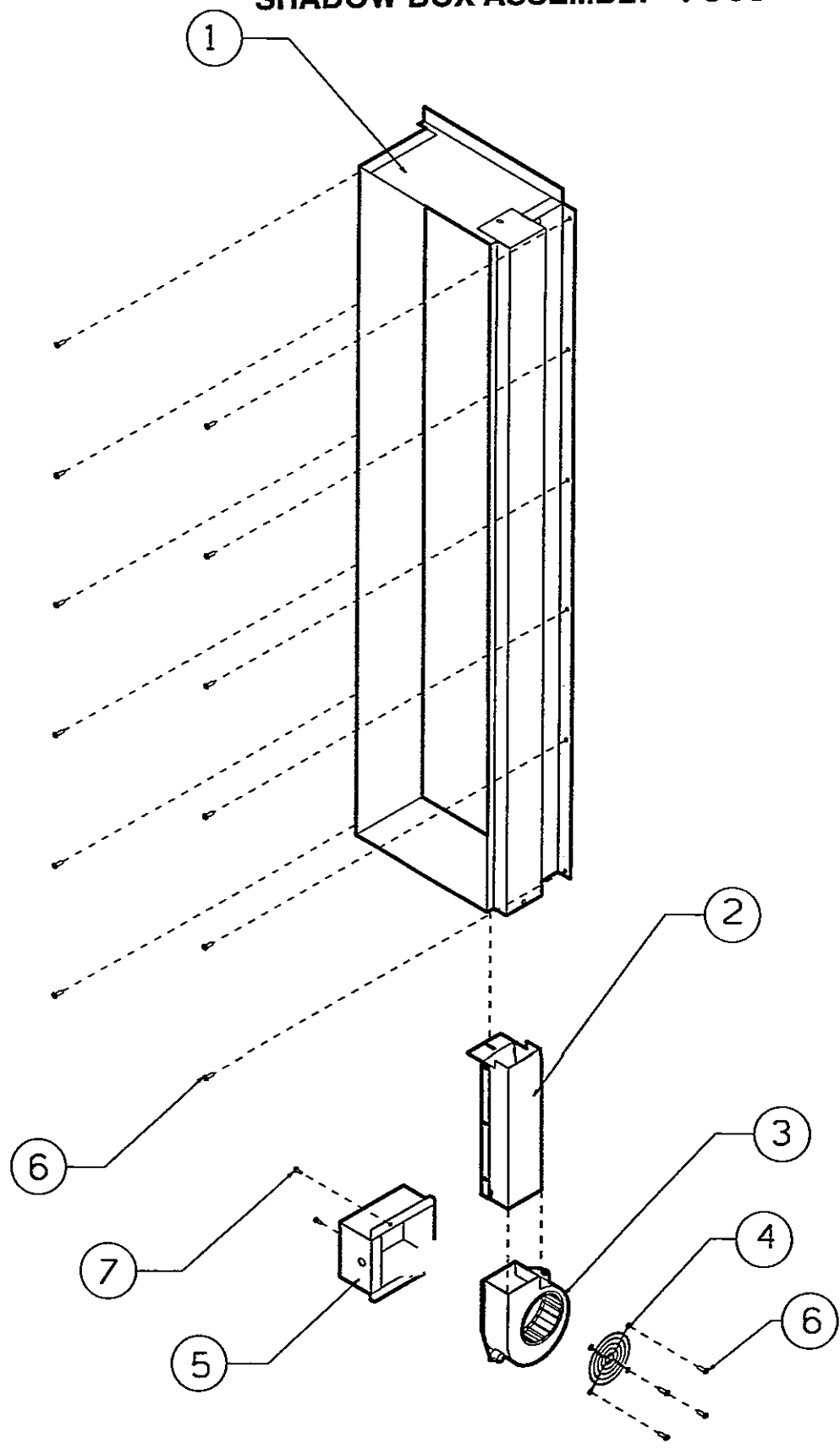


**TO BE USED IN CONJUNCTION WITH PAGE 29**

## PARTS LIST FOR SERVICE DOOR ASSEMBLY COLD FOOD

ITEM	DESCRIPTION	PART NO.	QTY.
1	SERVICE DOOR WELD ASSEMBLY	097-5006	1
2	HINGE ASSEMBLY, TOP COLD FOOD	097-5009	1
3	NUT, HEXAGON W/EXTERNAL LOCKWASHER, 1/4-20 KEPS	N20C2520	4
4	SHADOW BOX WELD ASSEMBLY, BLACK	097-5066	1
5	SCREW, SHEET METAL, TRUSS SLOTTED HEAD, TYPE B, #8-18X3/8	539C818-6	48
6	LOCK BAR ASSEMBLY	097-5045	1
7	LEVER ASSEMBLY-DRIVE CAM / LIFT	097-5102	1
8	BLOWER MOUNT ASSEMBLY	098-5217	1
9	FAN-SHADOW BOX	097-8004	1
10	COVER-MOTOR	098-4331	1
11	SCREW, TAPPING, TYPE AB, PANHEAD PHILLIPS, STEEL, BLACK ZINC, #8-18 X 3/8	01298BLK	2
12	DOOR SUPPORT ROLLER ASSEMBLY	150-5244	1
13	SCREW, MACHINE, ROUND HEAD SLOTTED W/EXTERNAL TOOTH LOCKWASHER, #1/4-20 X 1/2	S20C2520-8	2
14	COIN RETURN CUP ASSEMBLY	001-5132	1
15	SCREW, MACHINE, ROUND HEAD SLOTTED W/EXTERNAL TOOTH LOCKWASHER, #6-32 X 1/4	S20C632-4	13
16	DOOR STOP CABLE ASSEMBLY	098-5091	1
17	SCREW, HEX, SELF DRILLING, HEX WASHER HEAD, #8-18X1/2	S16C81-8	4
18	STRIKER-SWITCH	097-4125	1
19	SCREW, PHILLIPS PANHEAD, SEMS, TYPE 23, #8-32X3/8	01715	2
20	CASH BOX ASSEMBLY	097-5146	1
21	BUMPER-COLD FOOD DOOR	097-8032	1
22	KEY PAD BACKING PLATE	097-4088	1
23	NUT, HEX S/EXTERNAL LOCKWASHER, #8-32	20208	27
24	CHANGER PLUG ASSEMBLY	098-5264	1
25	COIN CHUTE WELD ASSEMBLY	098-5274	1
26	COIN RETURN CHUTE ASSEMBLY	220-5095	1
27	COVER-CONTROLLER, FOOD KING	097-4157	1
28	COIN RETURN ARM ASSEMBLY	098-5041	1
29	CASH BOX HOUSING ASSEMBLY	097-5147	1
30	WIRE CLAMP	400-8056	4
31	CONTROLLER BOARD-COLD FOOD	097-8005	1
32	BRACKET - PHONE JACK	097-4138	1
33	PHONE JACK, LITTEL JAX	098-8135	1
34	DECAL - SETUP/OPERATE	097-8045	1
35	SCREW MACHINE, ROUND HEAD SLOTTED W/EXTERNAL TOOTH LOCKWASHER, #6-32 X 1/2	SC20632-8	4
36	INSULATOR, CIRCUIT BOARD	097-8050	1
37	N/A		
38	LABEL, TRAY SEGMENT INSTALLATION	097-8031	1
39	DECAL, POWER BOX, FOOD KING, DOMESTIC	097-8042	1
40	LABEL - "LOCATE FOOD HERE"	098-8064	9

**SHADOW BOX ASSEMBLY - FOOD KING SERVICE DOOR**

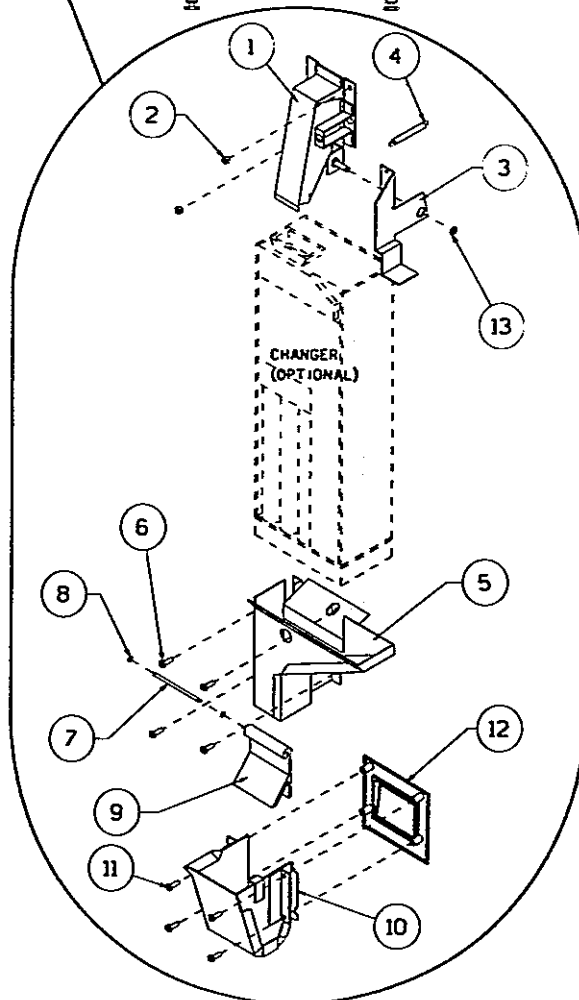
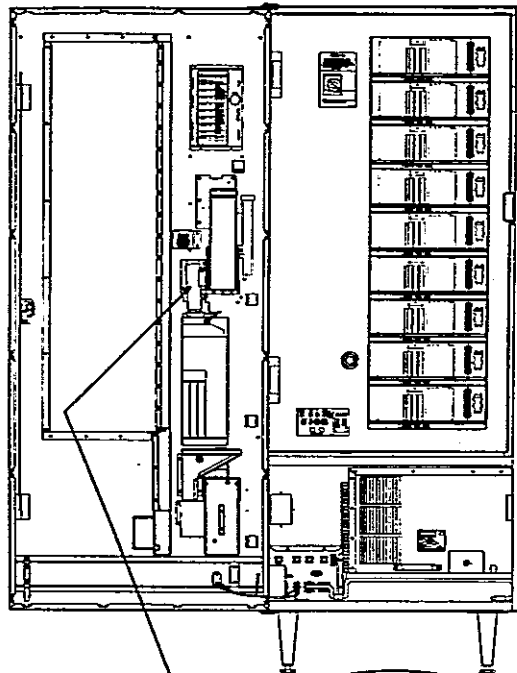


## PARTS LIST FOR SERVICE DOOR ASSEMBLY/ SHADOW BOX - COLD FOOD

ITEM	DESCRIPTION	PART NO.	QTY.
1	SHADOW BOX WELD ASSEMBLY	097-5066	1
2	BLOWER MOUNT ASSEMBLY	098-5217	1
3	FAN - SHADOW BOX	097-8004	1
4	GUARD - BLOWER FAN	098-8162	1
5	COVER - MOTOR	098-4331	1
6	SCREW, SHEET METAL, TRUSS SLOTTED HEAD, TYPE B, #8-18 X 3/8	S39C818-6	20
7	SCREW, TAPPING, TYPE AB, PANHEAD PHILLIPS, STEEL, BLACK ZINC, #8-18 X 3/8	01289BLK	2



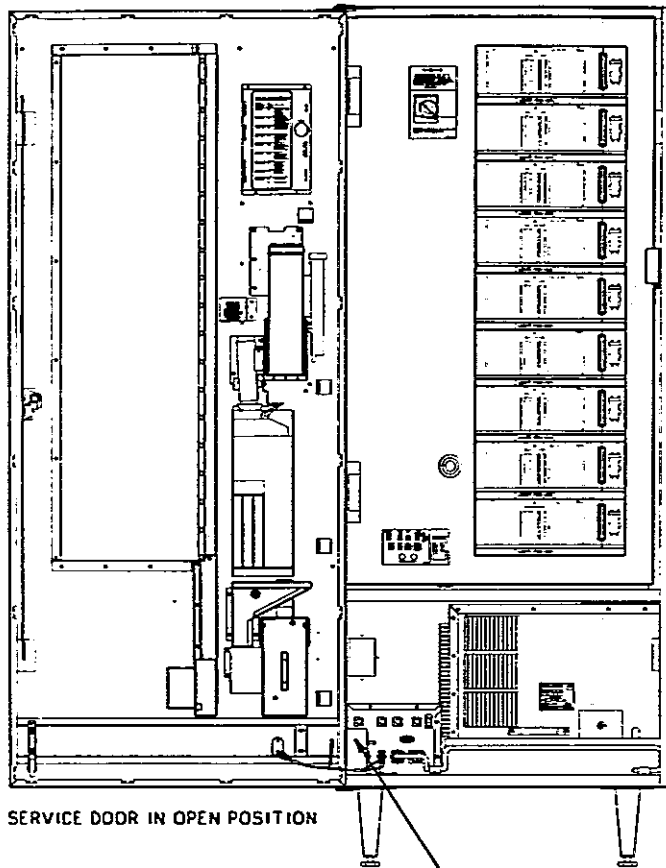
SERVICE DOOR IN OPEN POSITION



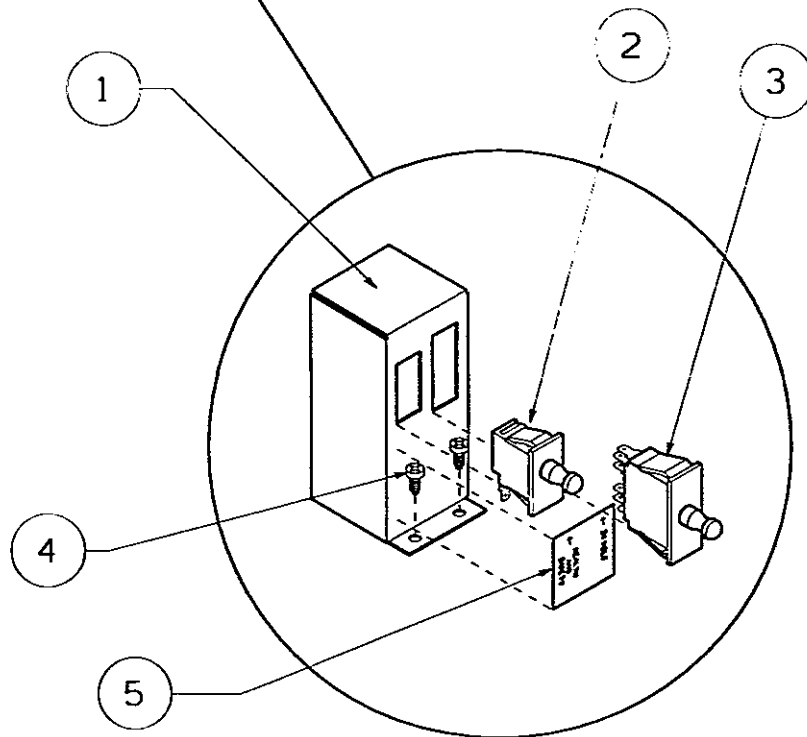
**SERVICE DOOR / COIN REJECT MOUNTING ASSEMBLY**

## PARTS LIST FOR SERVICE DOOR ASSEMBLY COIN REJECT - COLD FOOD

ITEM	DESCRIPTION	PART NO.	QTY.
1	COIN CHUTE WELD ASSEMBLY	098-5274	1
2	NUT, HEX W/EXTERNAL TOOTH LOCKWASHER, #8-32	20208	2
3	COIN RETURN ARM ASSEMBLY	098-5041	1
4	TENSION SPRING	00611	1
5	COIN RETURN CHUTE ASSEMBLY	220-5095	1
6	SCREW, SHEET METAL, TRUSS SLOTTED HEAD, TYPE B, #8-18 X 3/8	S39C818-6	4
7	PIN - COIN RETURN CUP	001-6122	1
8	RETAIING RING, TYPE "E", EXTERNAL, .125	R10K125	2
9	DOOR - COIN RETURN, BLACK	001-2004	1
10	COIN RETURN CUP ASSEMBLY	001-5132	1
11	SCREW, MACHINE, SLOTTED ROUND HEAD, W/EXTERNAL TOOTH LOCKWASHER, #6-32 X 1/4	S20C632-4	4
12	FRONT - COIN RETURN	001-2003Bik	1
13	RETAINING RING, TYPE "E" EXTERNAL, .250	R10K250	1



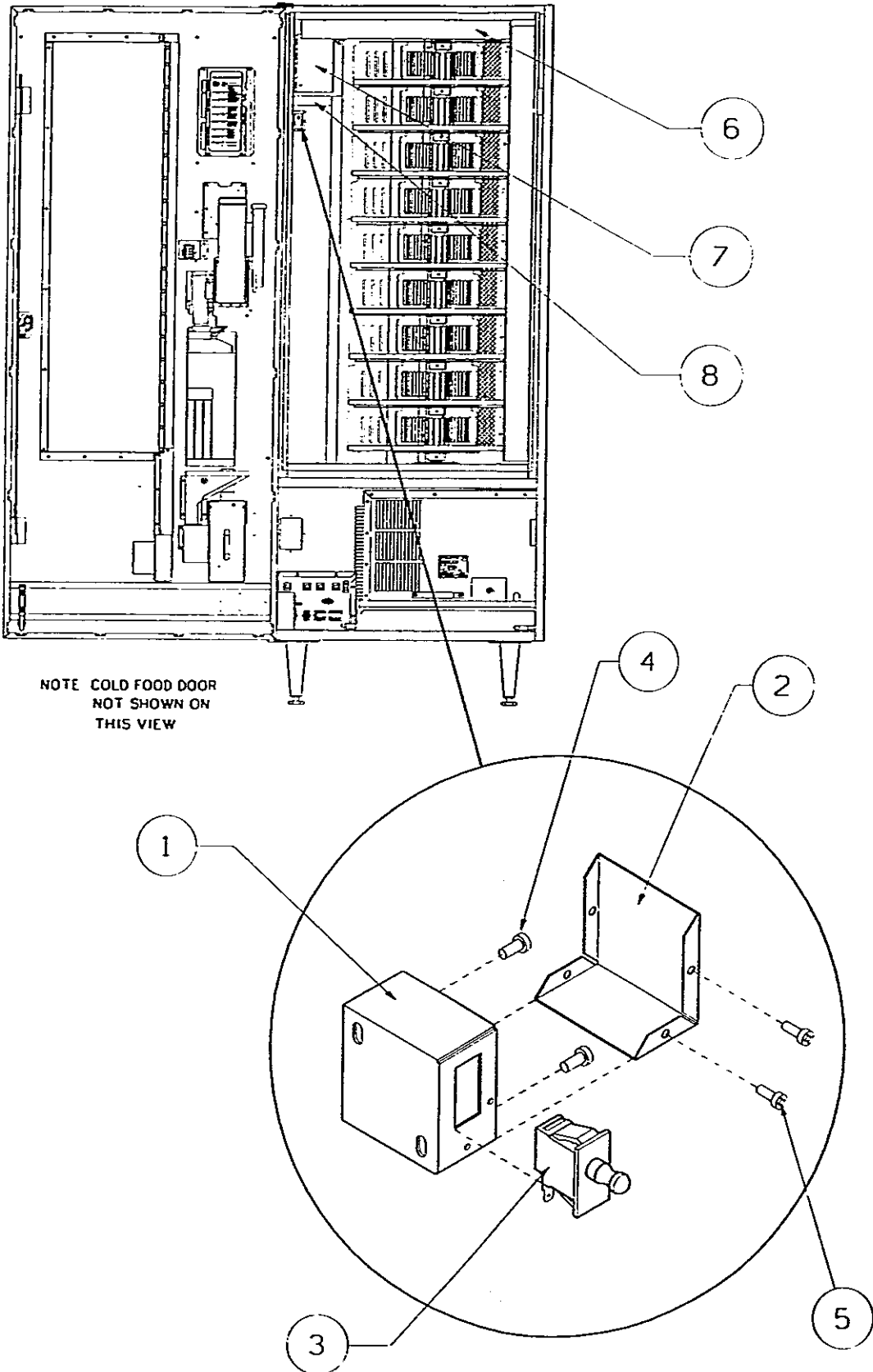
SERVICE DOOR IN OPEN POSITION



**SERVICE DOOR SWITCH ASSEMBLY**

## PARTS LIST FOR SERVICE DOOR SWITCH COLD FOOD

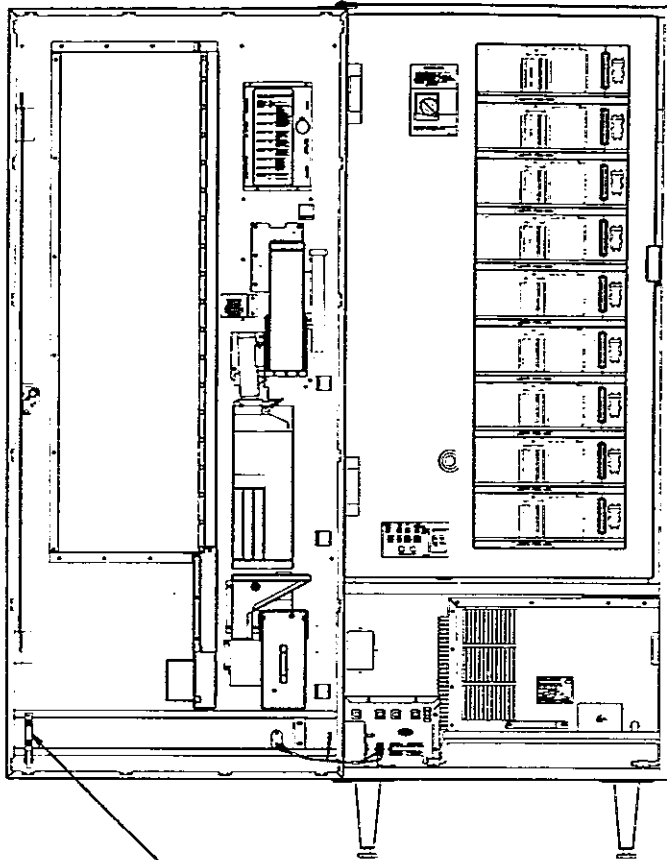
ITEM	DESCRIPTION	PART NO.	QTY.
1	BRACKET - SWITCH	097-4124	1
2	SWITCH - DOOR	099-8037	1
3	SWITCH - "PULL TO CHEAT"	19746	1
4	SCREW, SHEET METAL, TRUSS SLOTTED HEAD, TYPE B, #8-18 X 3/8	S39C818-6	2
5	LABEL - SWITCHES	097-8025	1



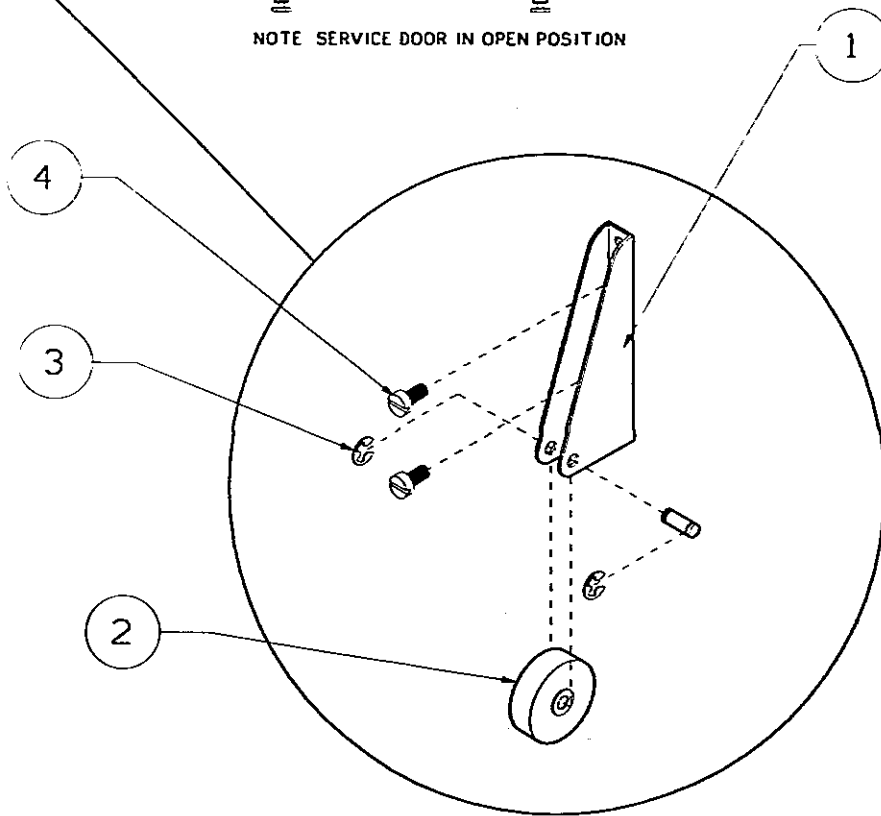
**COLD FOOD CAROUSEL LOADING SWITCH ASSEMBLY**

**PARTS LIST  
COLD FOOD CAROUSEL  
LOADING SWITCH ASSEMBLY**

ITEM	DESCRIPTION	PART NO.	QTY.
1	BRACKET - SWITCH MOUNTING	098-4154	1
2	COVER - SWITCH MOUNTING	098-4155	1
3	SWITCH - DOOR	099-8037	1
4	SCREW, SHEET METAL, TRUSS SLOTTED HEAD, TYPE B, #8-18 X 3/8	S39D818-6	2
5	SCREW, SHEET METAL, TRUSS SLOTTED HEAD, TYPE B, #6-20 X 3/8	S40D620-6	2
6	GUARD, CHAIN - FOOD KING	097-4156	1
7	SHOPPER MOTOR AND BRACKET ASSEMBLY	097-5137	1



NOTE SERVICE DOOR IN OPEN POSITION

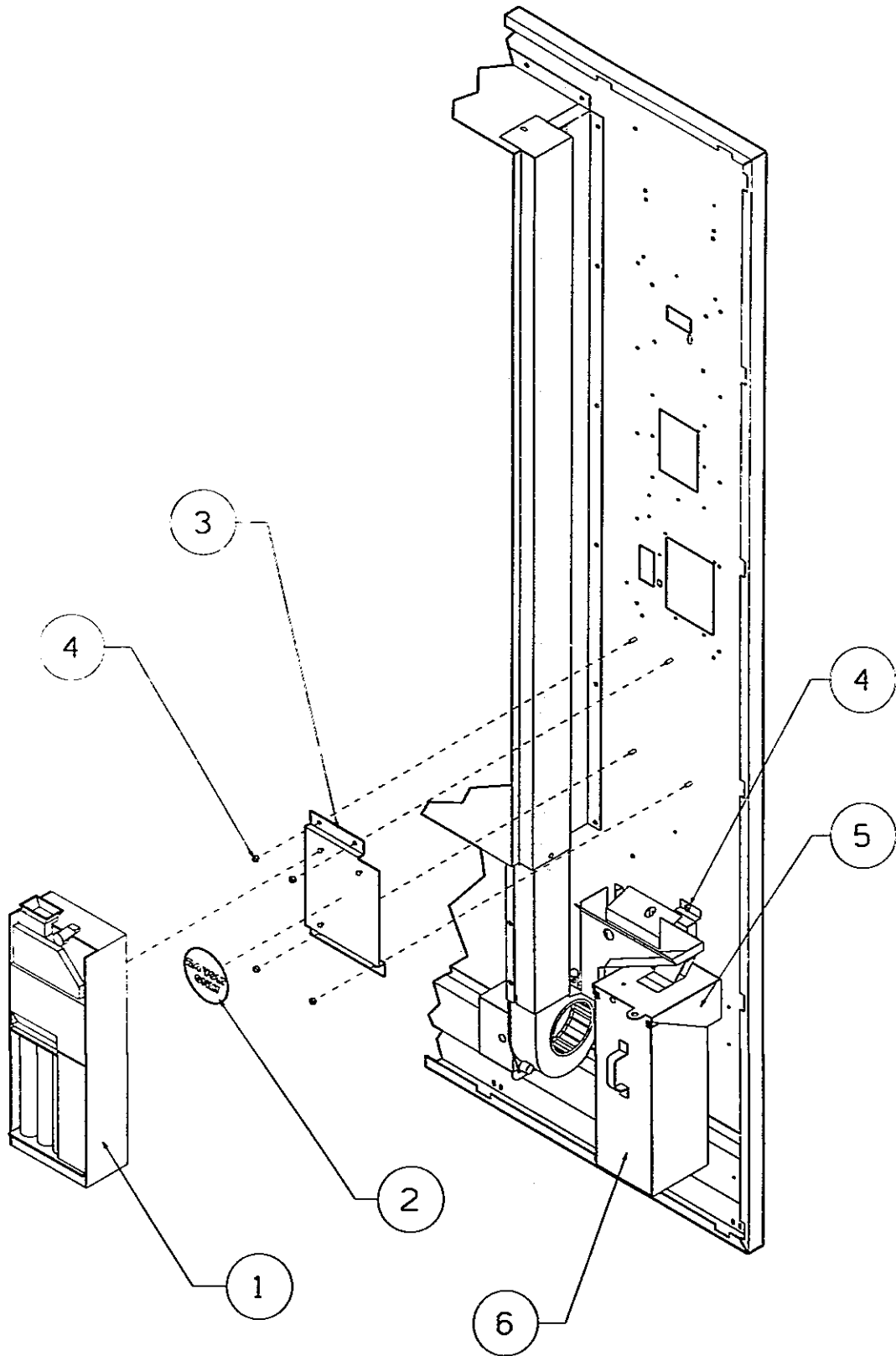


**SERVICE DOOR SUPPORT ROLLER ASSEMBLY**

## PARTS LIST FOR SERVICE DOOR SUPPORT ROLLER ASSEMBLY

ITEM	DESCRIPTION	PART NO.	QTY.
-	SUPPORT ROLLER ASSEMBLY DOOR (COMPLETE)	150-5244	1
1	DOOR SUPPORT ROLLER BRACKET	150-4270	1
2	DOOR SUPPORT ROLLER	150-3020	1
3	RETAINING RING, "E", 1/4	R10K250	2
3A	ROLLER PIN	001-6120	1
4	SCREW, MACHINE, ROUND HEAD, SLOTTED W/EXTERNAL TOOTH LOCKWASHER, 1/4-20 X 1/2	S20C2520-8	2

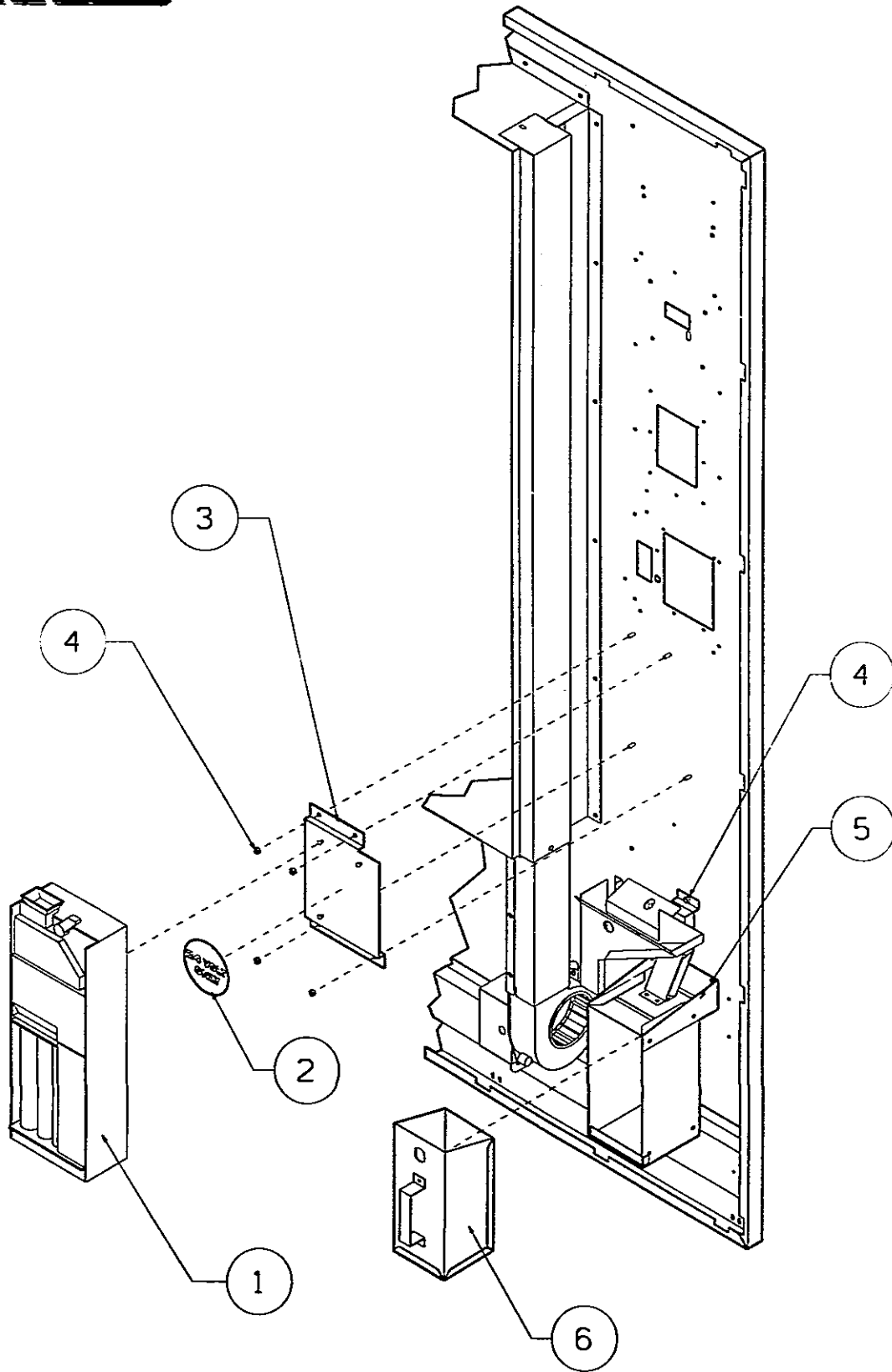




**SERVICE DOOR / CHANGER MOUNTING ASSEMBLY**

## PARTS LIST FOR CHANGER MOUNTING COLD FOOD MACHINE

ITEM	DESCRIPTION	PART NO.	QTY.
1	CHANGER - COIN, CA9302LF (OPTIONAL)	21240	1
2	DECAL - 24 VOLT WARNING	23571	1
3	PLATE, COIN MECH. MOUNTING, BLACK	200-4024	1
4	NUT, HEX W/LOCKWASHER, #8-32	20208	9
5	CASH BOX RETAINER WELD ASSEMBLY	097-5147	1
6	CASH BOX ASSEMBLY	097-5146	1



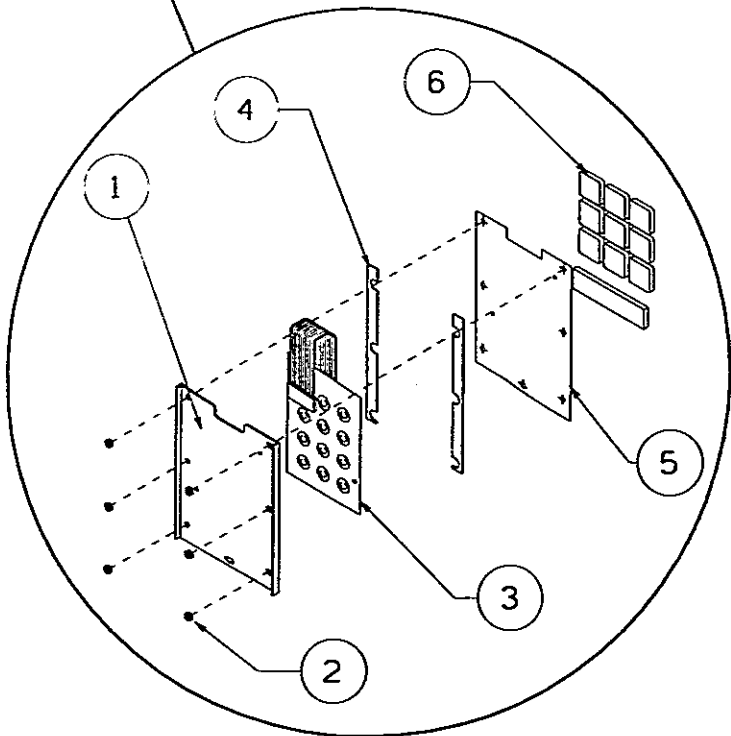
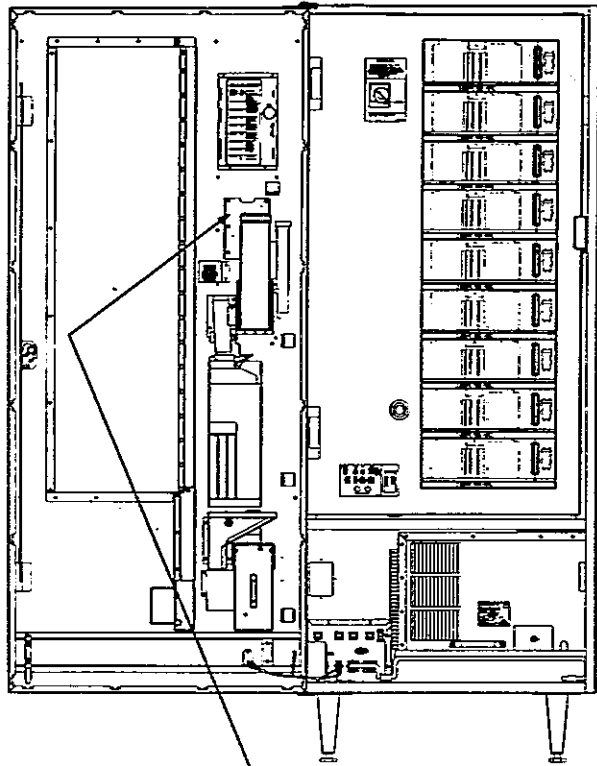
**NEW COIN BANK ASSEMBLY**

## PARTS LIST FOR CHANGER MOUNTING NEW COIN BANK ASSEMBLY - COLD FOOD

ITEM	DESCRIPTION	PART NO.	QTY.
1	CHANGER - COIN, CA9302LF (OPTIONAL)	21240	1
2	DECAL - 24 VOLT WARNING	23571	1
3	PLATE, COINMECH. MOUNTING, BLACK	200-4024	1
4	NUT, HEX W.LOCKWASHER, #8-32	20208	4
5	HOUSING ASSEMBLY - COIN BANK	097-5147	1
6	COIN BANK ASSEMBLY	097-5146	1

NOTE: POLYVEND LOCK FOR COIN BANK ASSEMBLY OPTIONAL.

SERVICE DOOR IN OPEN POSITION

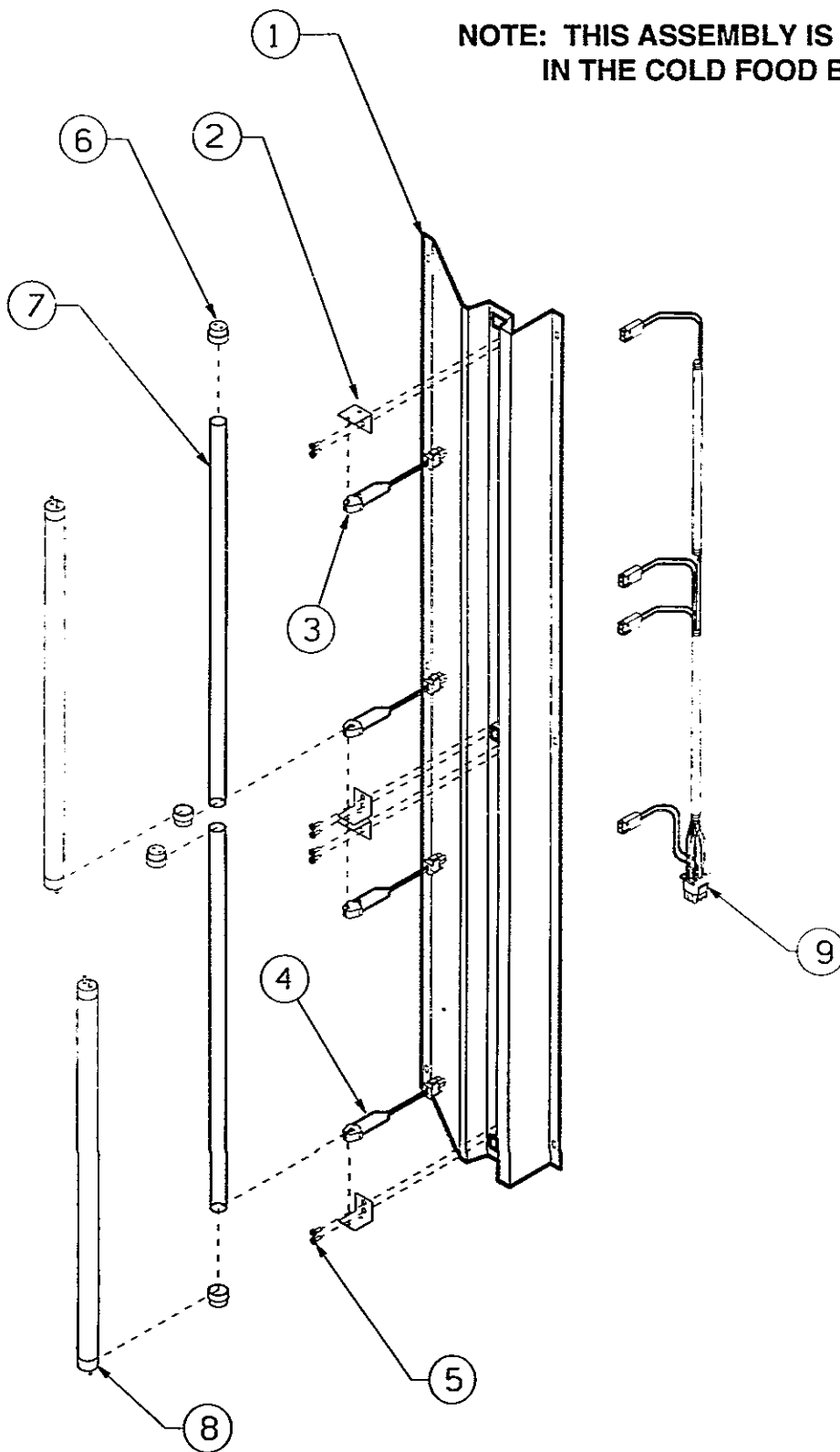


**SERVICE DOOR KEYPAD MOUNTING ASSEMBLY**

## PARTS LIST FOR KEYPAD ASSEMBLY COLD FOOD

ITEM	DESCRIPTION	PART NO.	QTY.
1	PLATE - COLD FOOD BACKING	097-4088	1
2	NUT, HEX W/EXTERNAL TOOTH LOCKWASHER, #8-32	20208	6
3	KEYPAD, 3 X 3 X 1, COLD FOOD	097-8009	1
4	SHIM - KEYPAD SPACER	097-4089	2
5	SPACER - KEYPAD	097-8136	1
6	SET - POLYVEND COLD FOOD BUTTON	097-8014	1
	BUTTON - "1" SELECTION, WHITE/BLACK	299091	1
	BUTTON - "2" SELECTION, WHITE/BLACK	299092	1
	BUTTON - "3" SELECTION, WHITE/BLACK	299093	1
	BUTTON - "4" SELECTION, WHITE/BLACK	299094	1
	BUTTON - "5" SELECTION, WHITE/BLACK	299095	1
	BUTTON - "6" SELECTION, WHITE/BLACK	299096	1
	BUTTON - "7" SELECTION, WHITE/BLACK	299097	1
	BUTTON - "8" SELECTION, WHITE/BLACK	299098	1
	BUTTON - "9" SELECTION, WHITE/BLACK	299099	1
	BUTTON - PRINTED SELECT, RED, "PRESS TO VIEW"	23469	1

**NOTE: THIS ASSEMBLY IS LOCATED  
IN THE COLD FOOD BOX.**

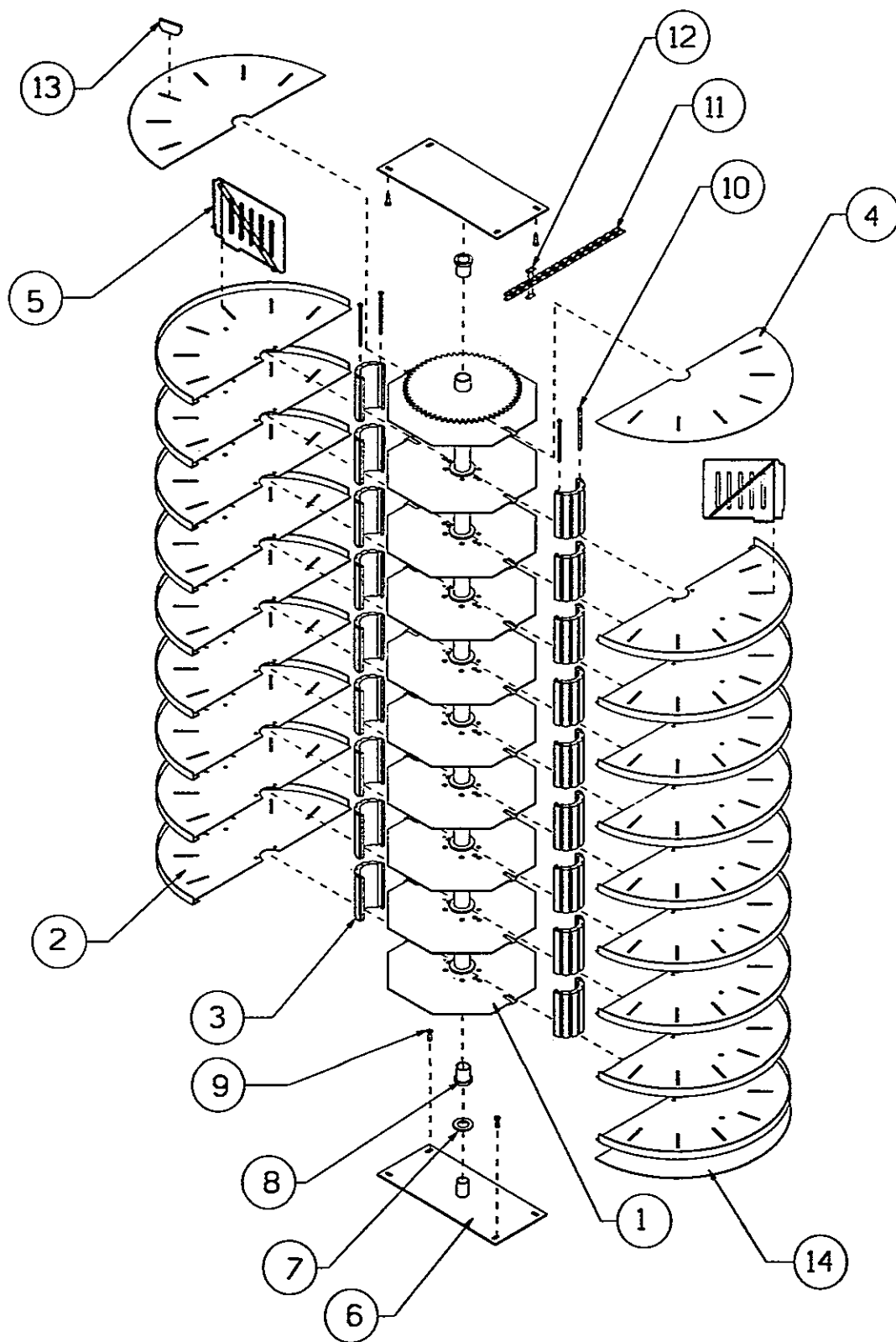


**COLD FOOD LAMP ASSEMBLY**

## PARTS LIST FOR LAMP ASSEMBLY COLD FOOD

ITEM	DESCRIPTION	PART NO.	QTY.
1	INNER GUARD ASSEMBLY	097-5114	1
2	BRACKET - LAMP END	097-4000	4
3	SOCKET ASSEMBLY - UPPER	097-5090	2
4	SOCKET ASSEMBLY - LOWER	097-5089	2
5	SCREW, SHEET METAL, TRUSS SLOTTED HEAD, TYPE B, #8-18 X 3/8	S39C818-6	8
6	CAP - VINYL	20952WHT	4
7	POLYCARBONATE TUBE	20951	2
8	LAMP, FLUORESCENT, F13T5FCW	18845	2
9	HARNES - LAMP FEED	097-5088	1

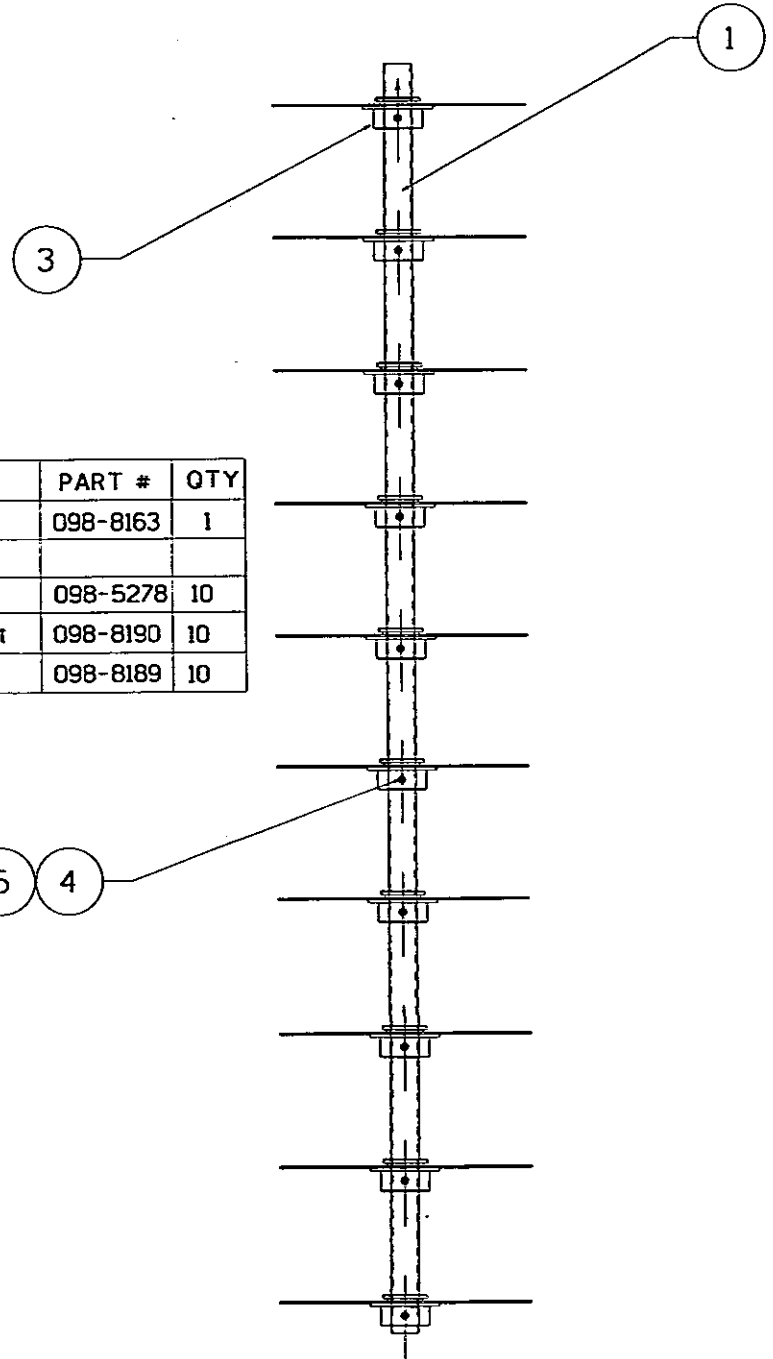
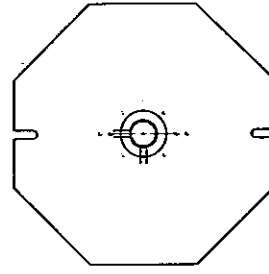




**CAROUSEL ASSEMBLY - FOOD KING**

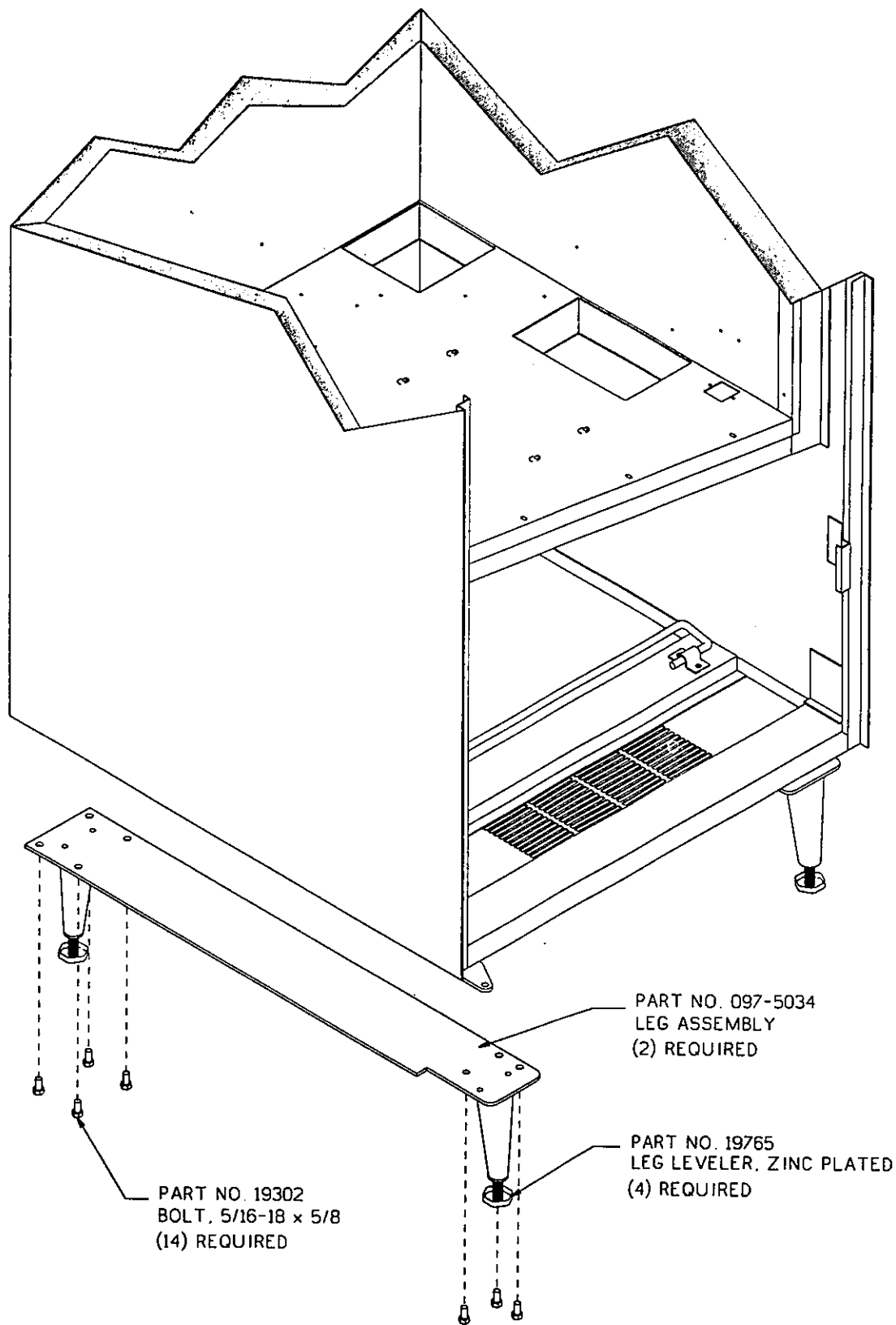
## PARTS LIST FOR CAROUSEL ASSEMBLY COLD FOOD

ITEM	DESCRIPTION	PART NO.	QTY.
1	SHAFT ASSEMBLY, CAROUSEL, WHITE	098-539801	1
2	TRAY SEGMENT FINAL ASSEMBLY	097-5027	18
3	TRAY SUPPORT DIVIDER	098-2003	18
4	SEGMENT, TOP TRAY ASSEMBLY	097-5025	2
5	DIVIDER - TRAY (W/HOLE)	097-9010	66
6	SHAFT ASSEMBLY - BOTTOM PLATE (Used on top assembly)	098-5277	2
7	WASHER, TRD-1220, THRUST	098-8156	1
8	BUSHING - .753 I.D. FLANGE	098-8149	2
9	SCREW, SHEET METAL, TRUSS SLOTTED HEAD, TYPE B, #8-18 X 5/8	S39C818-10	8
10	SCREW, PANHEAD SLOTTED, PHILLIPS, MACHINE, #6-32 X 2 15/16	S15C632-48	36
11	CHAIN. 3/8 PITCH	097-8044	1
12	CHAIN REPAIR LINK, 3/8 PITCH	098-8054	1
13	HOLDER	098-4115	66
14	PLATE HOLDER, WHITE	097-4016	18

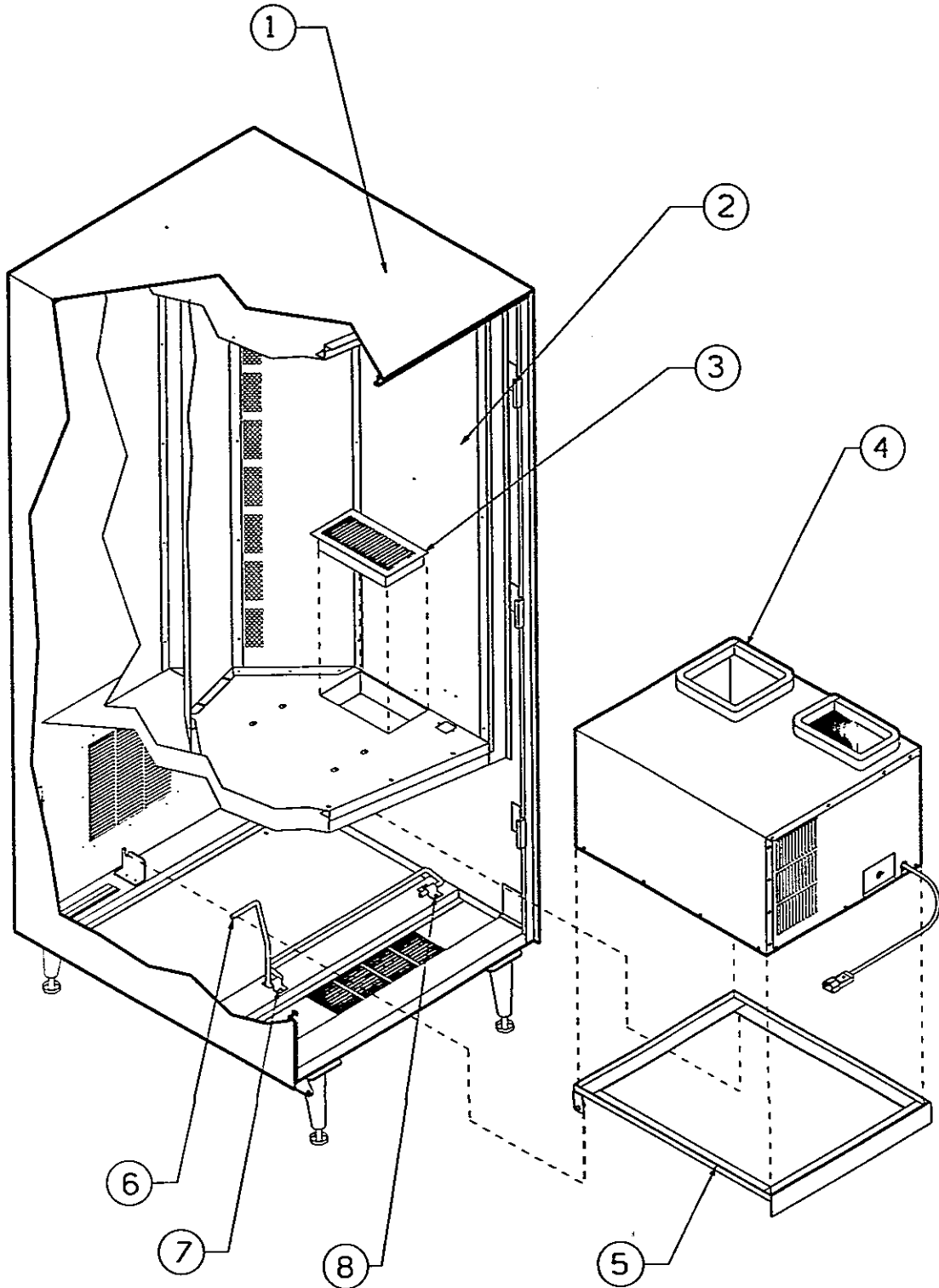


ITEM	DESCRIPTION	PART #	QTY
1	Shaft, Carousel	098-8163	1
2			
3	Assembly, Tray Support	098-5278	10
4	Screw, Set. 1/4-20X1/2", Cone Point	098-8190	10
5	Screw, Set. 1/4-20X3/8", Cup Point	098-8189	10

**CAROUSEL SHAFT ASSEMBLY**



**CABINET LEG - FOOD KING**



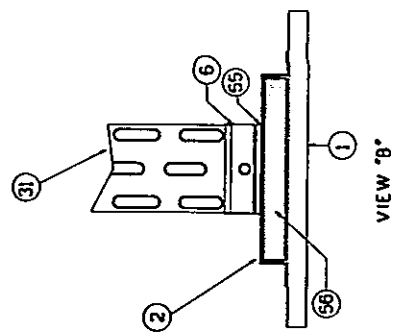
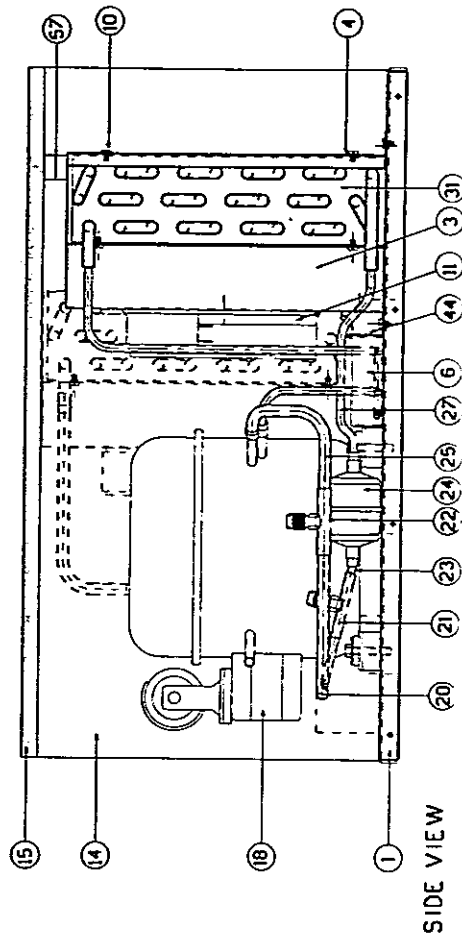
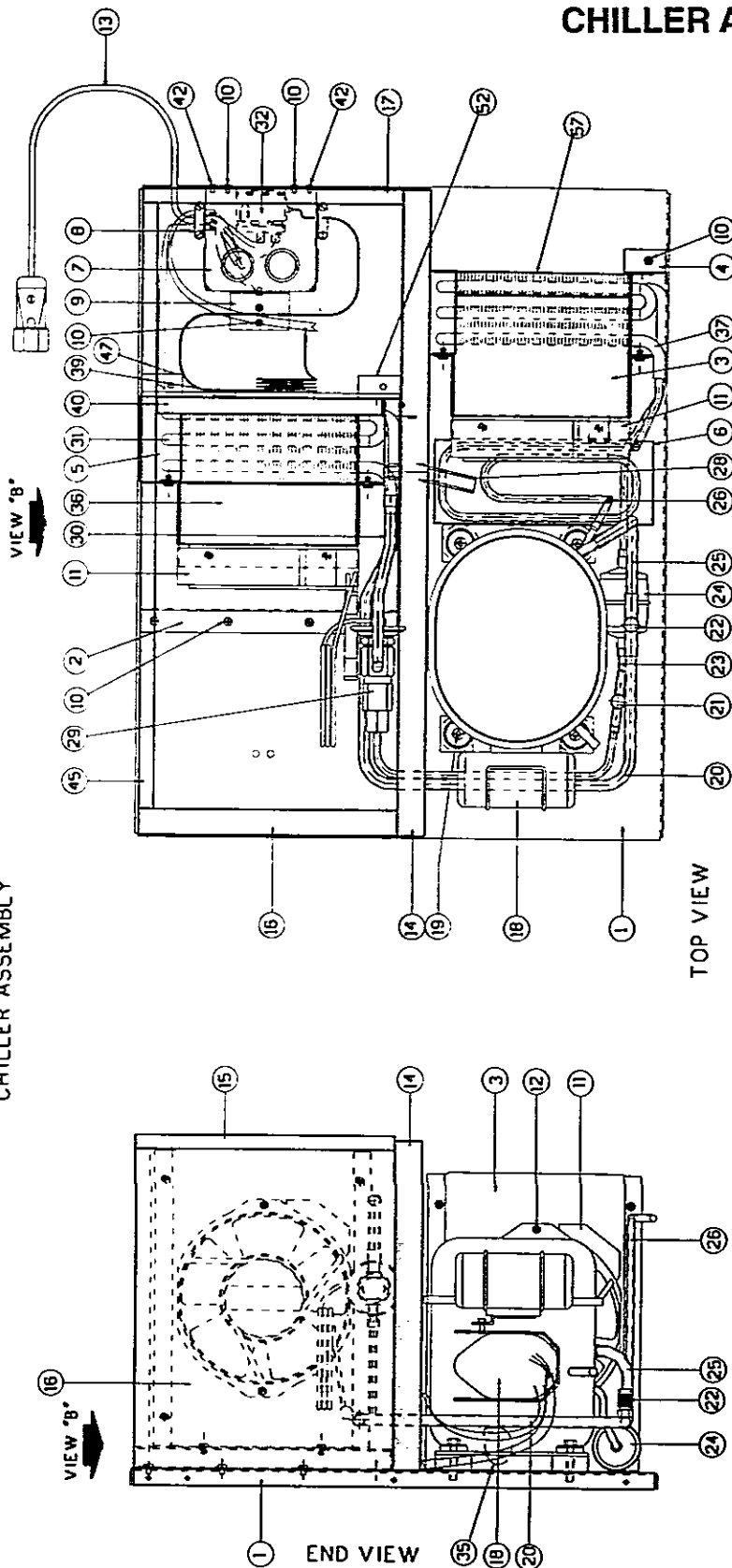
**CHILLER INSTALLATION - FOOD KING**

## PARTS LIST FOR CHILLER INSTALLATION COLD FOOD

ITEM	DESCRIPTION	PART NO.	QTY.
1	CABINET ASSEMBLY - FOAMED	097-5016	1
2	COLD FOOD BOX ASSEMBLY	097-5136	1
3	GRILL WELD ASSEMBLY	097-5108	1
4	CHILLER ASSEMBLY	23504115	1
5	RACK WELD ASSEMBLY	097-5107	1
6	LEVER - LIFT, COLD FOOD	097-8015	1
7	CLAMP, LIFT ARM	23612	2
8	SCREW, TAPPING, SEMS, #8-32 X 3/8	01715	45

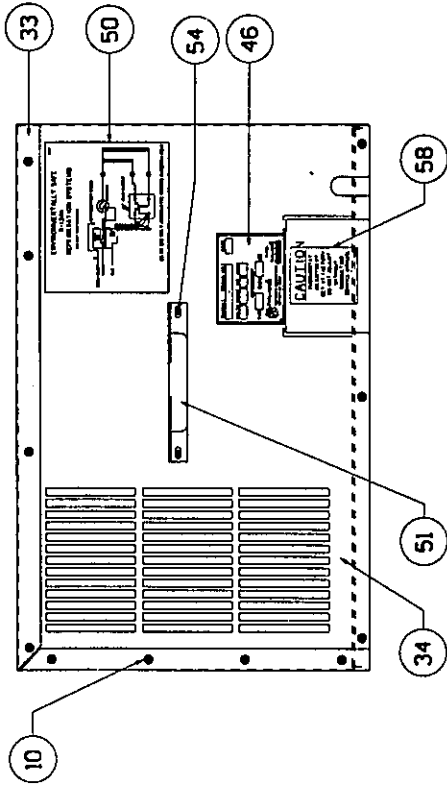
**CHILLER ASSEMBLY**

CHILLER ASSEMBLY



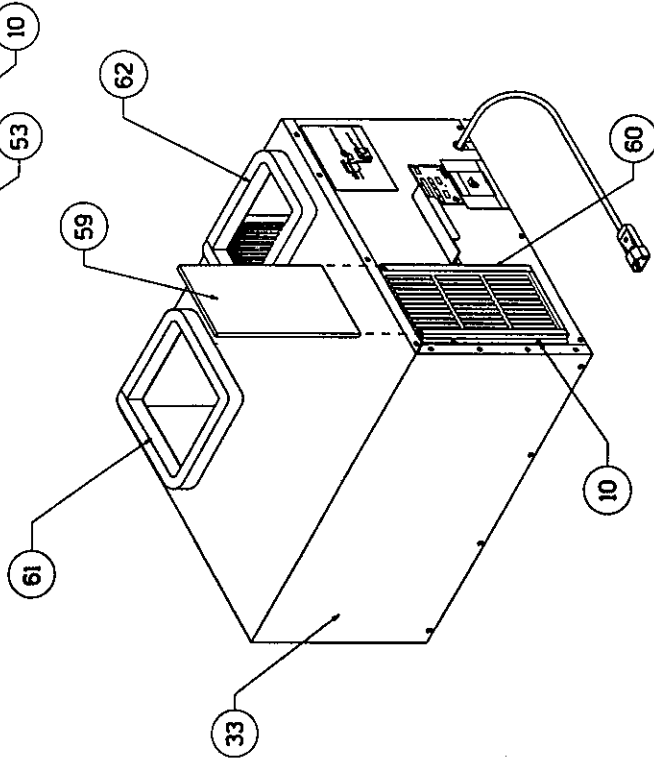
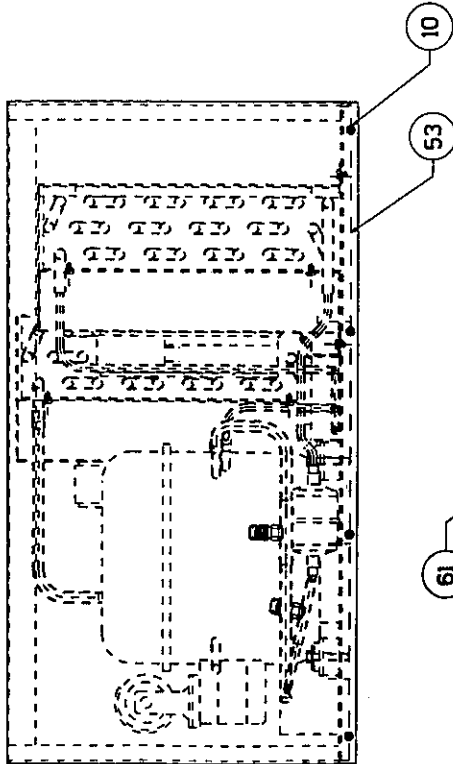
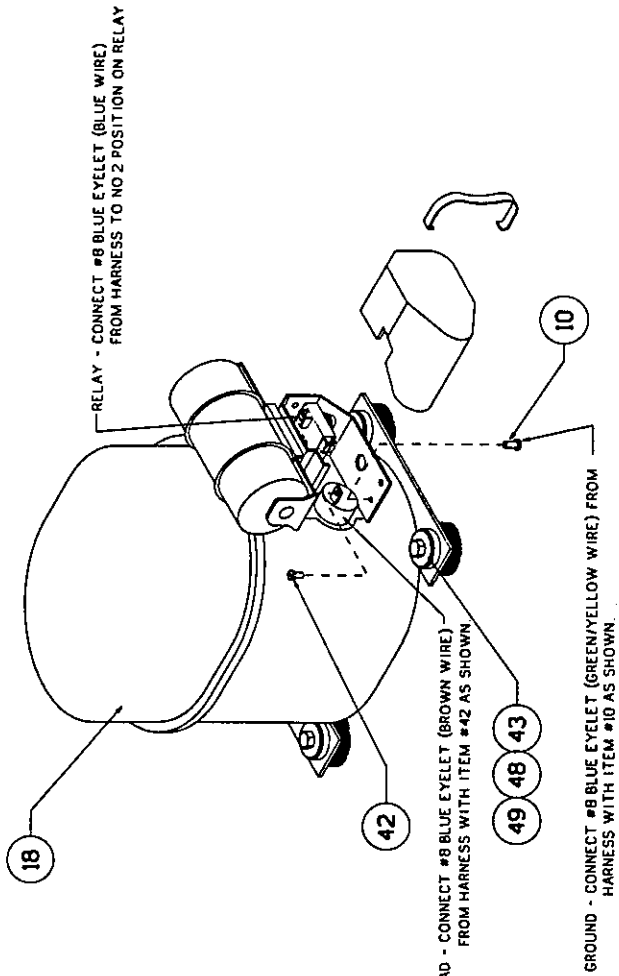
TO BE USED IN CONJUNCTION WITH PAGE 56 - 57

**CHILLER ASSEMBLY**



**COMPRESSOR COMPONENT REPLACEMENT P/N**

ITEM	PART NUMBER	PART NUMBER
	115V-60HZ	230V-50HZ
CAPACITOR	23534	23537
RELAY	23533	23536
OVERLOAD	23532	23535



**CHILLER ASSEMBLY (CONT.)**

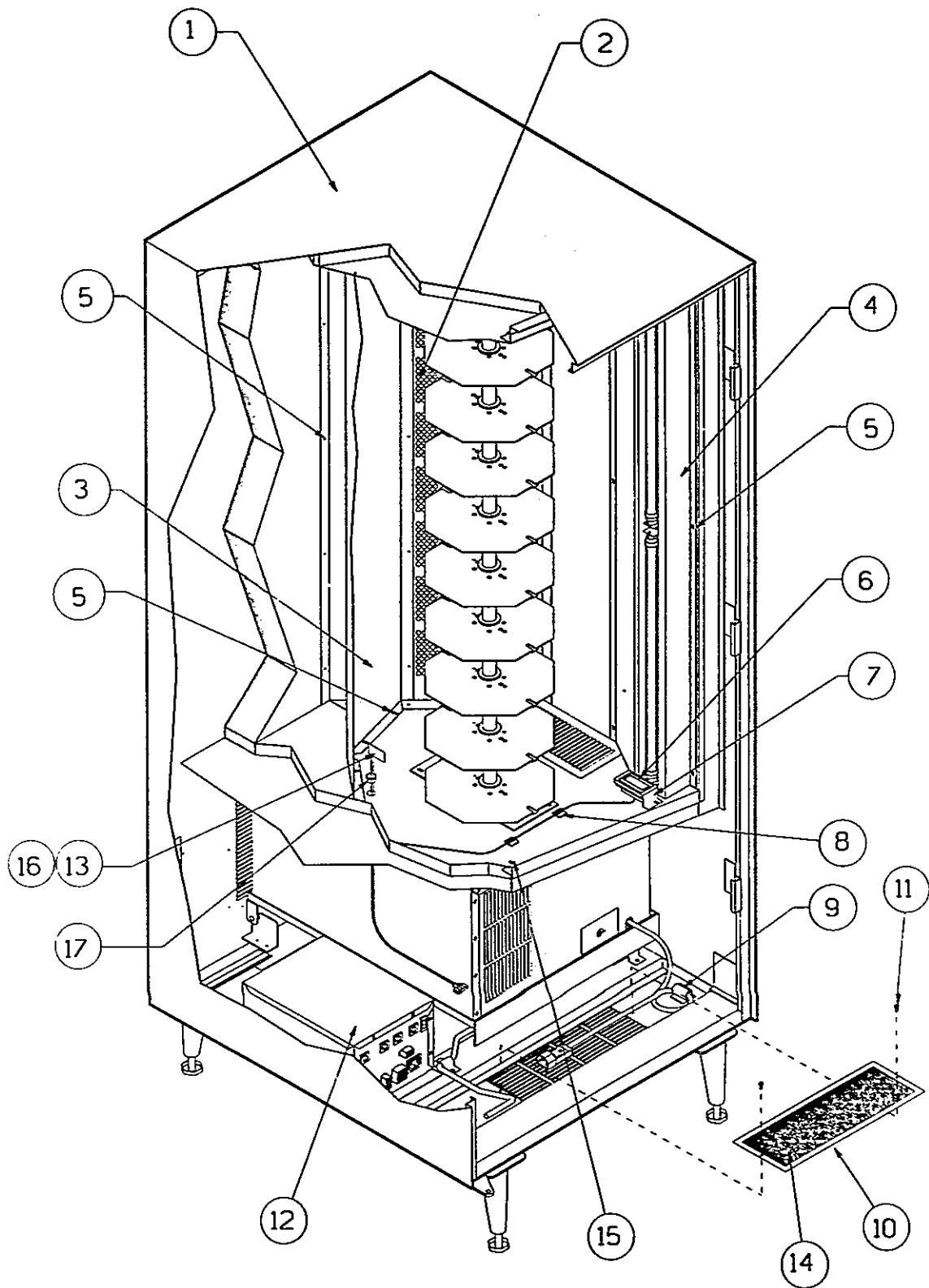


## PARTS LIST FOR CHILLER ASSEMBLY

ITEM	DESCRIPTION	PART NO.	QTY.
1	BASE PLATE - CHILLER	23459	1
2	EVAPORATOR BASE PALTE	23432	1
3	BRACKET - CONDENSOR FAN	23493	1
4	BRACKET - CONDENSOR	23439	1
5	CONDENSATE PAN - CHILLER 134A	23434	1
6	WELDMENT - EVAPORATIR DRAIN PAN	23451	1
7	BOX, HANDY, 2 X 4	098-8095	1
8	CONNECTOR - ROMEX	83692	1
9	BRACKET - MOUNTING, HANDY BOX	23441	1
10	SCREW - SEMS, #8-32 X 3/8	01715	74
11	FAN - 6" AXIAL 220 CFM (GLOBE MFG.)	098-8040	2
12	NUT, HEX W/LOCKWASHER, #8-32	20208	6
13	HARNESS - POWER CORD AND EVAP. FAN	097-5119	1
14	INSULATION - DIVIDER, CHILLER	23611	1
15	INSULATIOON - TOP, CHILLER 3/8	23499	1
16	INSULATION - END (1/2" THICK), CHILLER	23610	1
17	INSULATION - END (1/2" THICK)	23539	1
18	COMPRESSOR 0 TECUMSEH, AE4440	23487	1
19	SCREW, HEX, WASHER HEAD, 1/4 - 20 1 1/4	23494	4
20	TUBING ASSEMBLY - EVAPORATOR TO SERVICE TEE	23464	1
21	VALVE - TEE, 1/4	098809801	1
22	VALVE - TEE, 3/8	098-8098	1
23	TUBING - DRIER TO 1/4" SERVICE TEE	23445	1
24	FILER DRIER - SPORLAN	097-8000	1
25	TUBING - SERVICE TEE TO COMPRESSOR	23449	1
26	TUBING - COMPRESSOR TO CONDENSOR	23443	1
27	TUBING CONDENSORTO DRIER	23444	1
28	DRAIN TUB - CLEAR VINYL, 3/8" I.D.	23502	1
29	EXPANSION VALVE - SPORLAN	098-8001	1
30	TUBING - EXPANSION VALVE TO EVAPORATOR	23447	1
31	EVAPORATOR - "HEATCRAFT"	098-8003	1
32	THERMOSTAT - RANCO	23506	1
33	TOP AND BANK - CHILLER	23489	1
34	HOUSING - CHILLER, SIDES AND FRONT	23490	1
35	HARNESS - COMP. & COND. FAN	23510	1
36	BRACKET - EVAPORATOR FAN	23630	1
37	CONDENSOR - "HEARCRAFT"	098-8007	1
38	THERMOSTAT MOUNTING PLATE	23440	1
39	CLIP	098-8144	2
40	NEOPRENE 3/32" X 1/2"	1824500	39"
41	GASKET - C/F CHILLER TO CAB.	23520	53"
42	SCREW - #6-32 X 5/16", PANHEAD PHILLIPS, ZINC PLATED	17691	3
43	WASHER - FLAT, 1, 1/4", STEEL, ZINC PLATED	16154	4

## PARTS LIST FOR CHILLER ASSEMBLY cont.

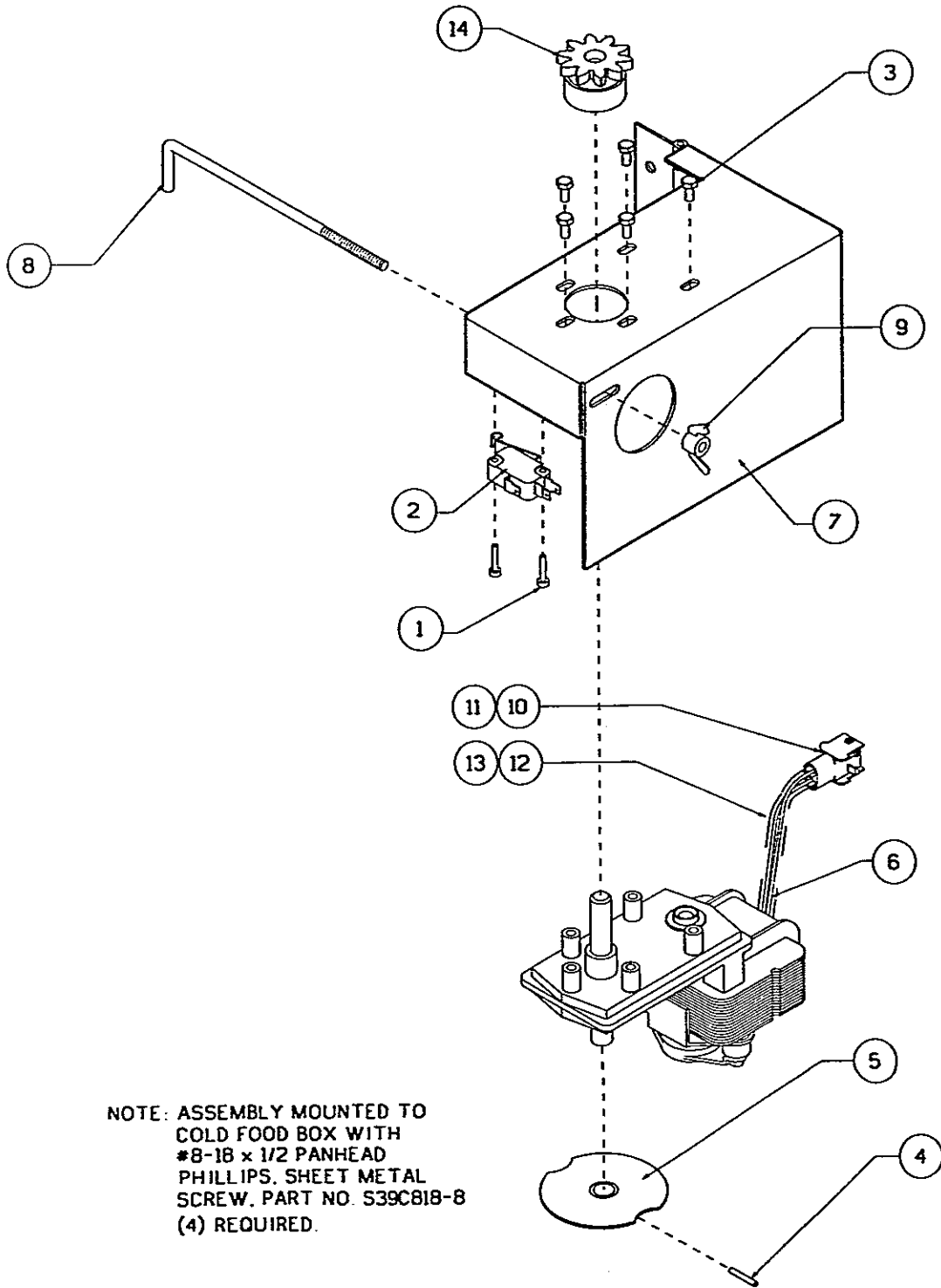
ITEM	DESCRIPTION	PART NO.	QTY.
44	BRACKET - HOLD DOWN, CONDENSATE PAN	23438	1
45	INSULATION - CHILLER SIDE COLD FOOD	23498	1
46	DATAPLATE	23541	1
47	BRACKET, EVAPORATOR, MTG.	23491	1
48	GROMMET	23553	4
49	SLEEVE	23554	4
50	DECAL, WIRING DIAGRAM	23555	1
51	HANDLE, COLD FOOD	097-4128	1
52	BRACKET - EVAPORATOR END	23608	1
53	INSULATION - CHILLER BASE	23613	1
54	8-32 X 3/8 PHILLIPS HEAD SCREW BLK	01465	2
55	INSULATION - CORK GASKET	098-9030	8.375"
56	INSULATION - EVAP. BASE PLATE	23814	1
57	INSULATION - URETHAN FOAM	098-9023	2
58	DECAL - THERMOSTAT, F/COMBO C.F.	23800	1
59	FILTER COND, AIR	23829	1
60	FILTER BRACKET	23768	1
61	GASKET - CHILLER TO CABINET	23514	28 1/4"
62	GASKET - CHILLER TO CABINET	2351401	30"



**CABINET ASSEMBLY - FOOD KING**

## PARTS LIST FOR CABINET ASSEMBLY COLD FOOD

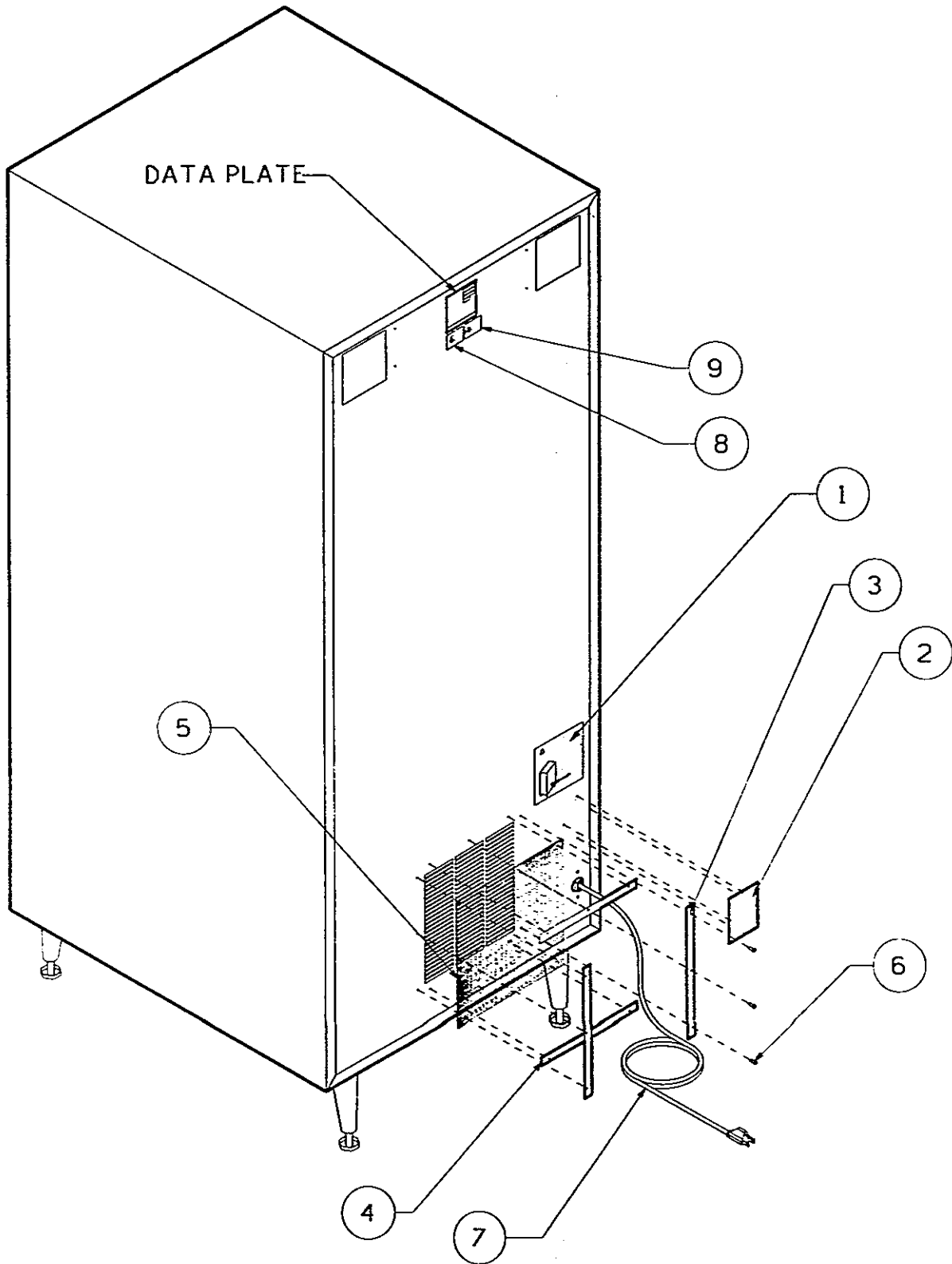
ITEM	DESCRIPTION	PART NO.	QTY.
1	CABINET ASSEMBLY -FOAMED	097-5016	1
2	COLD AIR CHAMBER	097-4057	1
3	AIR BAFFLE - COLD FOOD BOX	097-4058	1
4	LAMP / BRACKET ASSEMBLY	097-5116	1
5	SCREW, HEX, WASHER HEAD, SELF DRILLING, #8-18 X 1/2	S16D0818-8	36
6	THERMOMETER, PANEL MOUNT DIGITAL	098-812901	1
7	BRACKET - THERMOMETER	097-4135	1
8	CLAMP - "RICHCO" KKU-2RT	098-8144	5
9	WIRE - CLAMP, 1/2 WIRE	400-8056	1
10	SCREEN - AIR INTAKE	098-4363	1
11	SCREW, TAPPING, TYPE AB, PANHEAD PHILLIPS, STEEL, BLACK ZINC, #8-18 X 3/8	01298BLK	2
12	POWER BOX ASSEMBLY - COLD FOOD	097-5150	1
13	SWITCH, ELECTRICTRONIC HEALTH & SAFETY	097-8046	1
14	FRAME - AIR INTAKE	098-4364	1
15	SCREW, SHEET METAL, TRUSS SLOTTED HEAD, TYPE B, STAINLESS, #8-18 X 3/8	S39D818-6	12
16	P.C. BOARD SUPPORT	23848	2
17	BUSHING, 5/8 X 1/2	020562	1



**SHOPPER MOTOR AND BRACKET ASSEMBLY**  
**PART NO. 097-5137**

## PARTS LIST FOR SHOPPER MOTOR AND BRACKET ASSEMBLY

ITEM	DESCRIPTION	PART NO.	QTY.
-	SHOPPER MOTOR ASSEMBLY (COMPLETE)	097-5137	1
1	SCREW, TAPP., PH. HD., PHIL.	13261	2
2	MICRO SWITCH, V3L	412-8009	1
3	SCREW, #8-32 X 5/16 HEX HEAD	23380	4
4	ROLL PIN	P10K094-10	1
5	MTR. COLUMN CAM ASSY.	098-5129	1
6	DRIVE MOTOR - SHOPPER	098-8073	1
7	BRKT. - SHOPPER MTR., WELDMT.	097-5135	1
7A	MOTOR BRACKET BRACE (not shown)	097-4153	1
8	BELT TENSION ROD	098-8030	1
9	#8-32 WING NUT	098-8029	1
10	2 CIRCUIT SOCKET	210-8003	1
11	CONTACT PIN	210-8001	2
12	VINYL TUBING - CLEAR	098-8023	.5 FT.
13	CABLE TIE	001-8103	1
14	SPROCKET-2SS@90/.203SPEC UST	098-8050	1

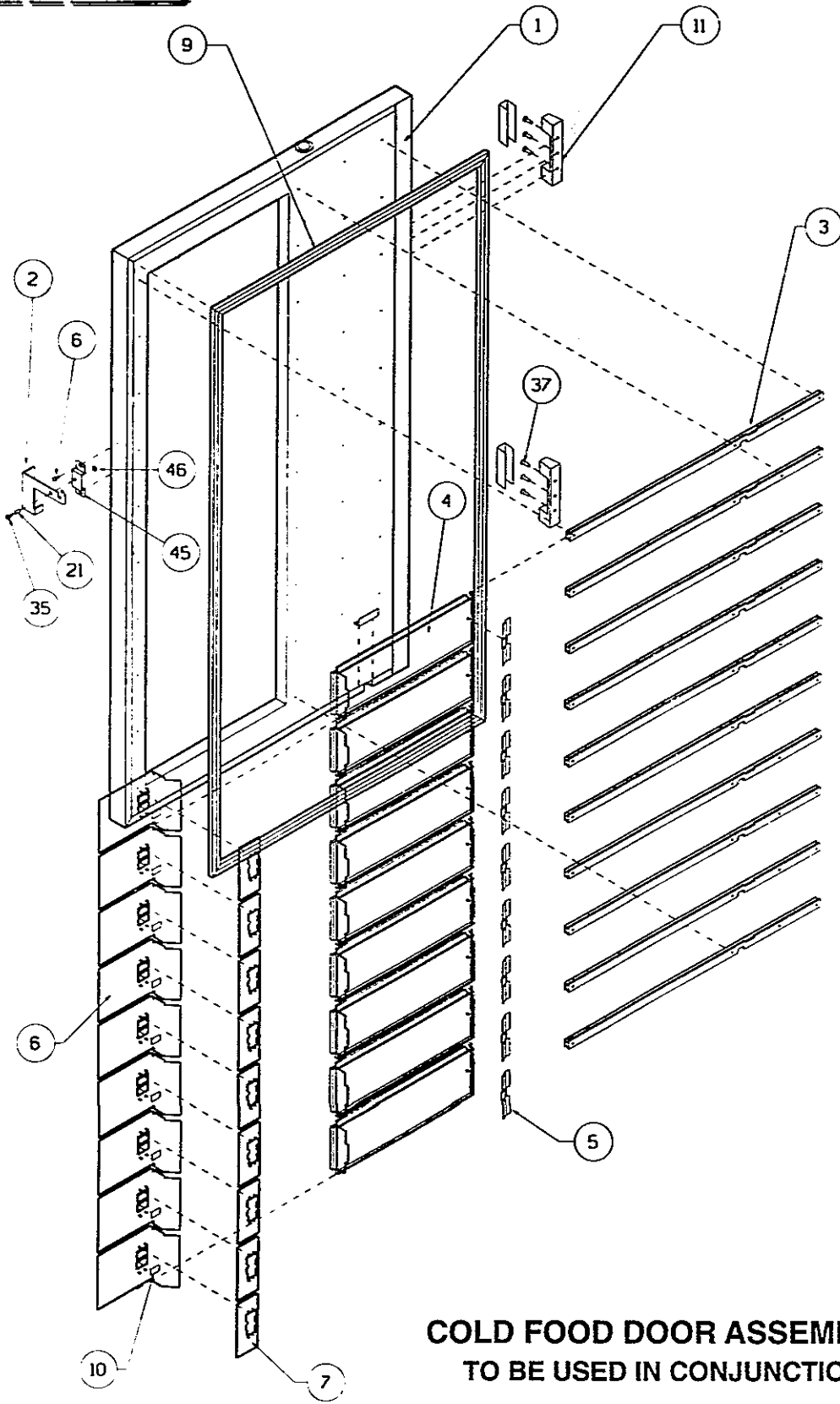


**CABINET ASSEMBLY, REAR VIEW - FOOD KING**

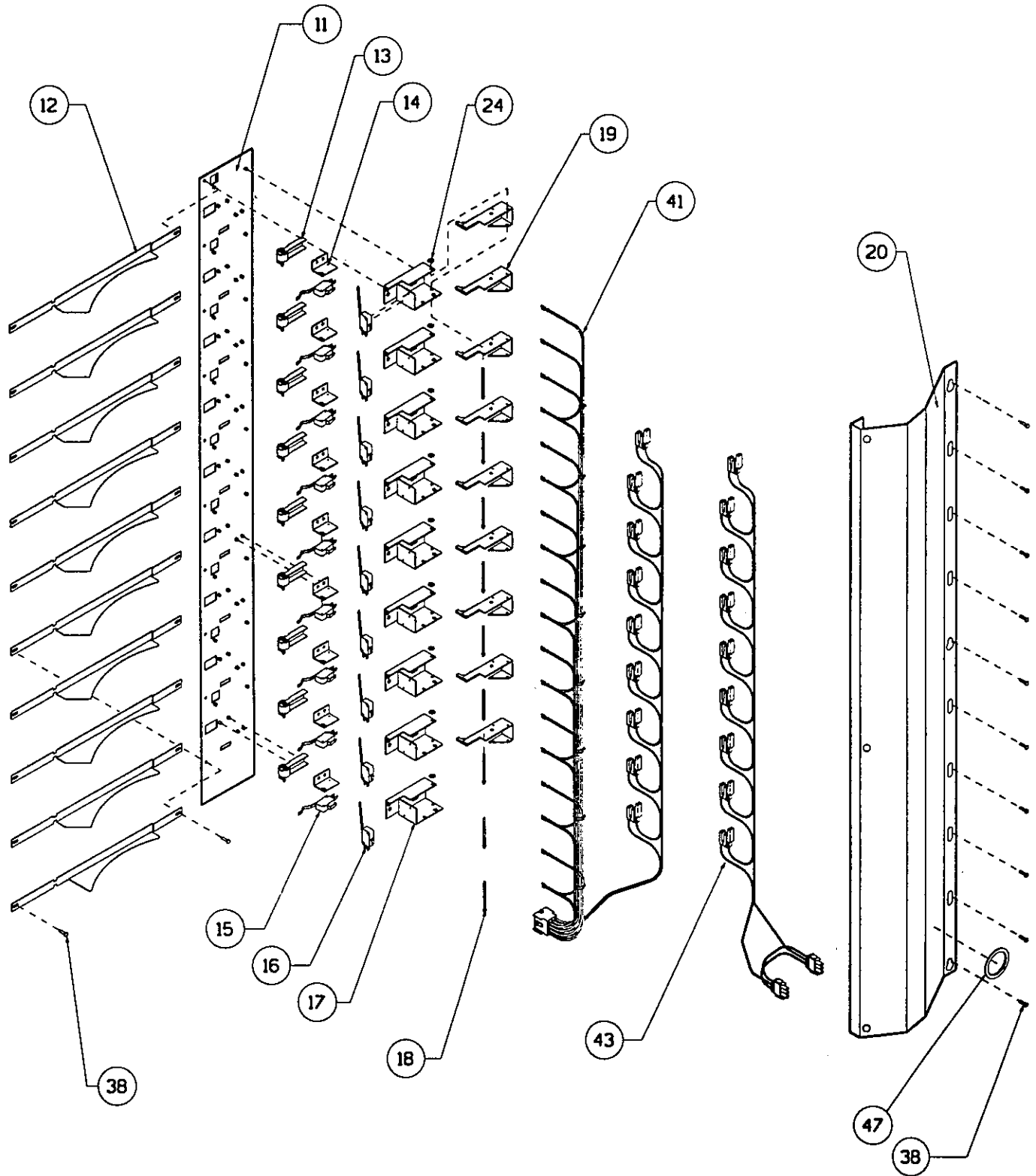
## PARTS LIST FOR CABINET ASSEMBLY, BACK COLD FOOD

ITEM	DESCRIPTION	PART NO.	QTY.
1	LABEL - "CAUTION POWER CORD"	097-8028	1
2	COVER - SLAVE MACHINE CORD, BLACK	099-4168	1
3	RETAINER - VERTICAL, BUG SCREEN	098-437503	2
4	RETAINER, BUG SCREEN, HORIZONTAL	098-437502	2
5	SCREEN, BUG EXHAUST	098-4365	1
6	SCREW, TAPPING, TYPE AB, PANHEAD PHILLIPS, STEEL, BLACK ZINC, #8-18 X 3/8	01298BLK	12
7	CORD, COLD FOOD SERVICE	097-5071	1
8	LABEL - U.L. U.S.	23821	1
9	LABEL - U.L. CANADA	23822	1

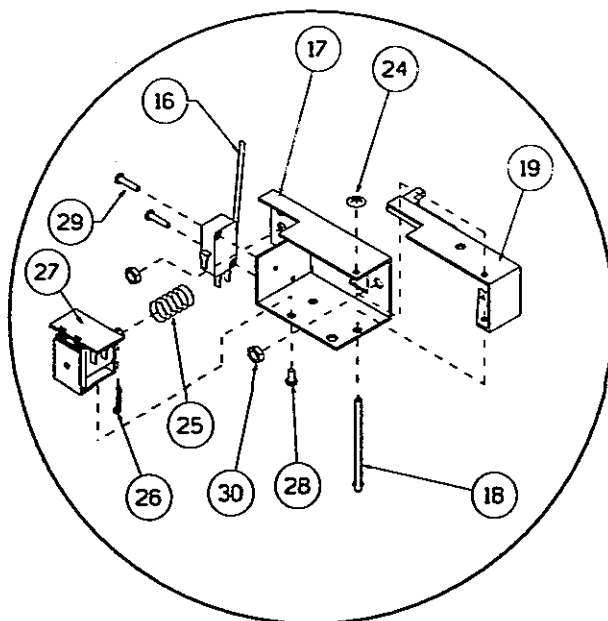
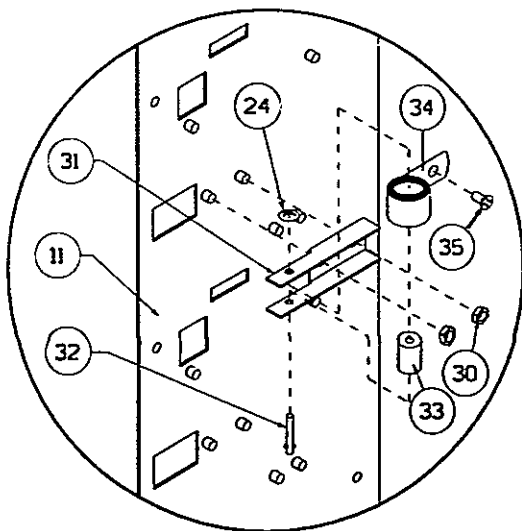
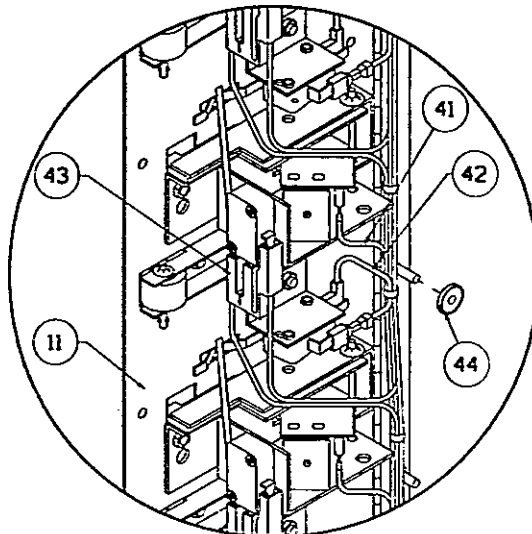
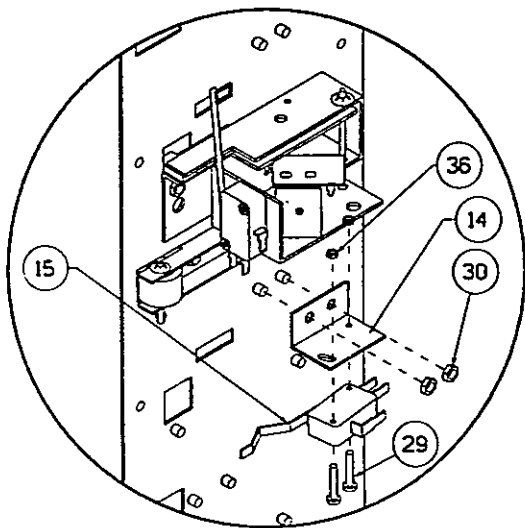




**COLD FOOD DOOR ASSEMBLY - FOOD KING  
TO BE USED IN CONJUNCTION WITH PAGE 67**



**COLD FOOD DOOR ASSEMBLY (CONT.) - FOOD KING**  
TO BE USED IN CONJUNCTION WITH PAGE 67

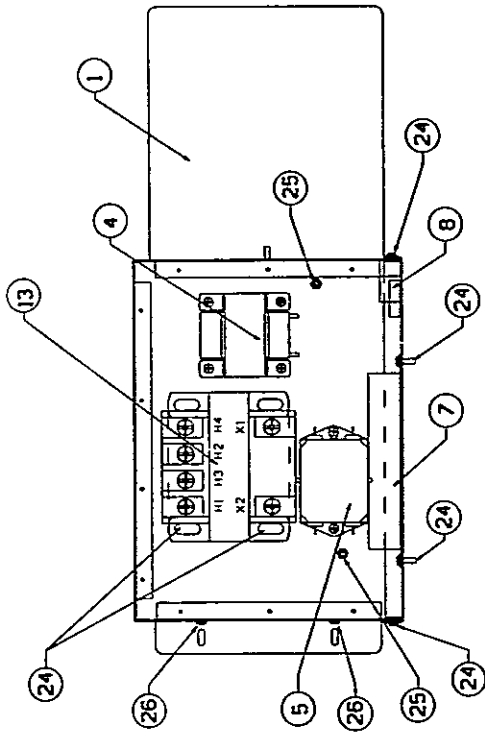


**COLD FOOD DOOR ASSEMBLY (CONT.) - FOOD KING  
TO BE USED IN CONJUNCTION WITH PAGE 67**

## PARTS LIST FOR COLD FOOD DOOR ASSEMBLY

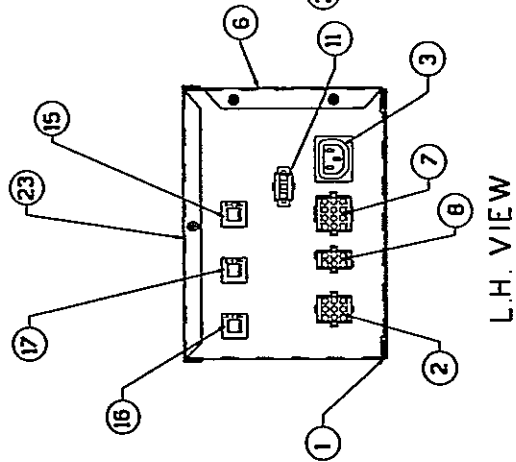
ITEM	DESCRIPTION	PART NO.	QTY.
1	DOOR AND FOAMING PANEL ASSEMBLY	097-5022	1
2	LATCH - COLD FOOD DOOR	097-4134	1
3	TRACK - COLD FOOD DOOR	097-2000	10
4	VEND DOOR - COLD FOOD	23346	9
5	V-SEAL DOOR WEATHER STRIP	098-9031	9
6	DOOR STOP AND PRICE HOLDER	23345	9
7	PRICE TAG RETAINER	098-3017	9
8	SCREW, SEMS, #8-32 X 3/8"	01715	4
9	COLD FOOD DOOR SEAL	097-8023	1
10	NUMBER LABEL - H1 TO H10	098-8044	1 EA.
11	HINGER -INNER DOOR, COLD FOOD	097-8022	2
12	TRAY SHIELD - LOWER, WHITE	098-4097	9
13	VEND DOOR SPRING ASSEMBLY	098-5089	9
14	BRACKET, SWITCH MOUNTING	098-4310	9
15	SWITCH	098-4311	9
16	MICRO SWITCH	200-8019	9
17	SOLENOID BRAKET	098-4087	9
18	PIN - LOCK ARM	098-6010	9
19	LOCK ARM WELDMENT, BLACK	098-5043	9
20	SOLENOID COVER	097-4056	1
21	SPACER SLEEVE	22201	1
22	COLD FOOD DOOR SWITCH PLATE	098-4142	1
23	RIVET, BLIND, AD24ABS	220-8030	2
24	STUD, .125 PUSHNUT	099-8008	18
25	SPRING	098-7007	9
26	COTTER PIN	C10C062-8	9
27	SOLENOID - DIODE BOARD ASSEMBLY	098-8017	9
28	SCREW, #6 X 3/156, TAPPING, B	18370BLK	18
29	SCREW, #4-40 X 5/8	04455	18
30	NUT WITH LOCKWASHER, #8-32	20208	54
31	SPRING BRACKET, VEND DOOR, BLACK	098-4025	9
32	SHAFT, SPRING ROLLER, GUM AND MINT	099-6000	9
33	ROLLER, GUM AND MINT SPRING	099-3002	9
34	SPRING, CONSTANT FORCE	19165	9
35	SCREW, #10-24	05372	1
36	NUT, HEX, #4-40 STEEL	15987	18
37	FLAT HEAD SOCKET CAP SCREW, 10-32 X 5/8	S471032-10	12
38	SCREW, #6-32 X 7/8, 6C87MXRS	S10D632-14	30
39	KOREL TAPE	098-8025	4 FT.
40	STRIPPING, VINYL, 1/2" X 1/2"	20102	.386 FT.
41	HARNESS - DOOR SOLENOID FEED	097-5082	1
42	HARNESS, JUMPER - T D SWITCH	098-5269	9
43	HARNESS - DOOR INTERLOCK SWITCHES	097-5083	1
44	INNER GUARD BUSHING	098-6012	6
45	BRACKET -DOOR LATCH	097-4111	1
46	NUT, HEX, NYLOCK, #10-24	23552	1
47	BUSHING, SB-2000	01322	1

**PART NUMBER FOR COMPLETE COLD FOOD DOOR ASSEMBLY IS 097-5001**

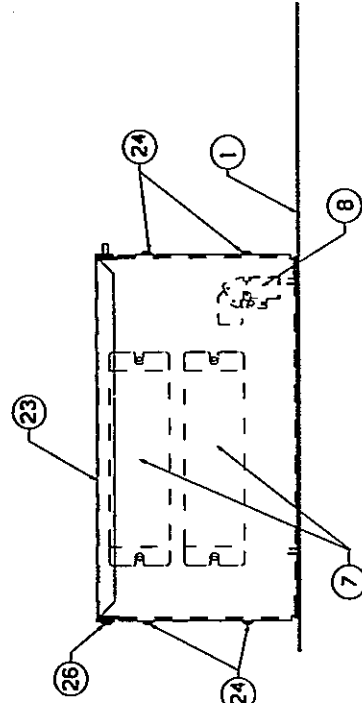


TOP VIEW

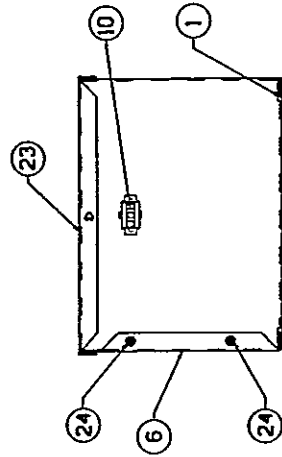
NOTE: THIS VIEW SHOWN WITH TOP REMOVED



L.H. VIEW



SIDE VIEW

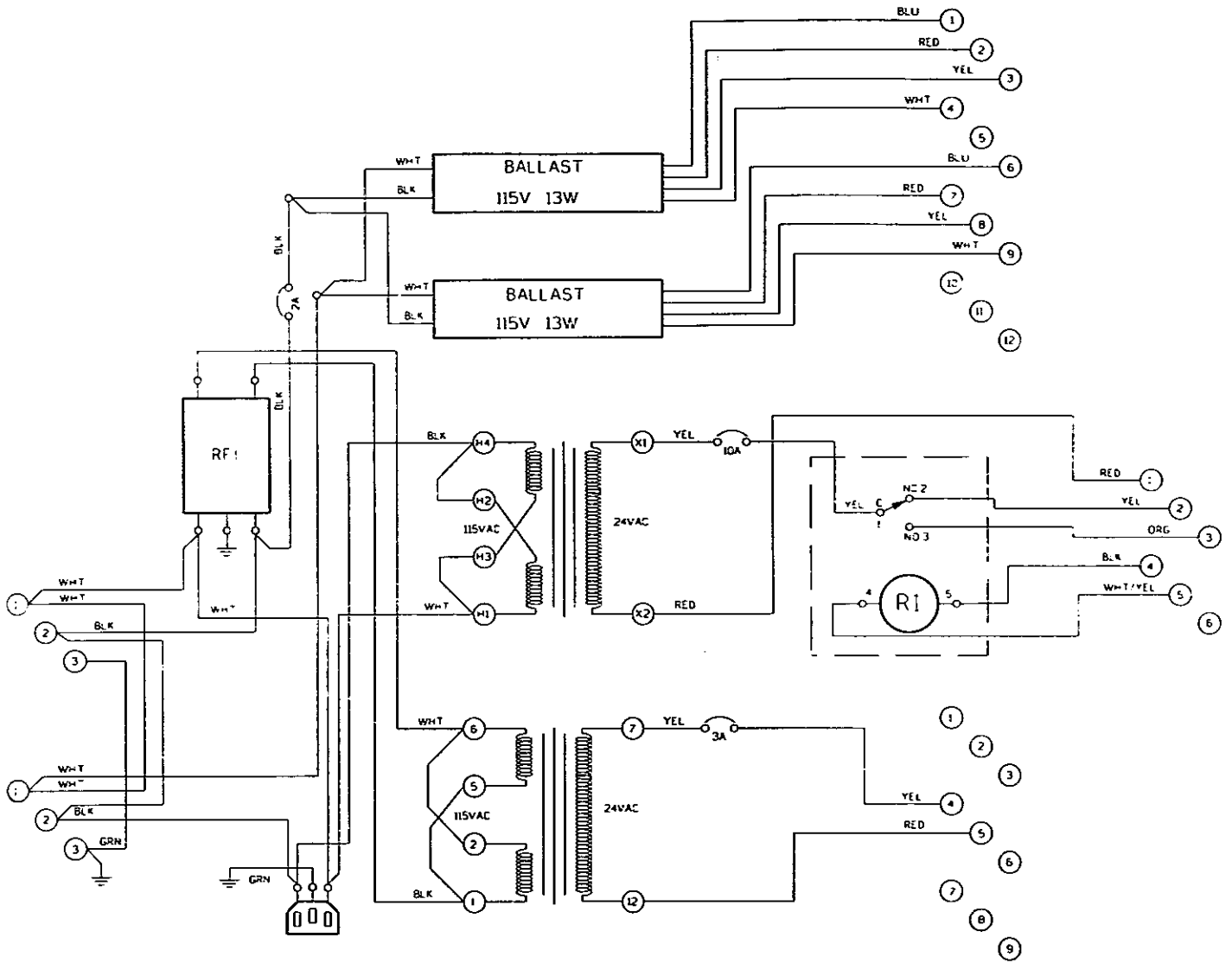


R.H. VIEW

**POWER BOX ASSEMBLY (DOMESTIC)**  
**PART NO. 097-5150**

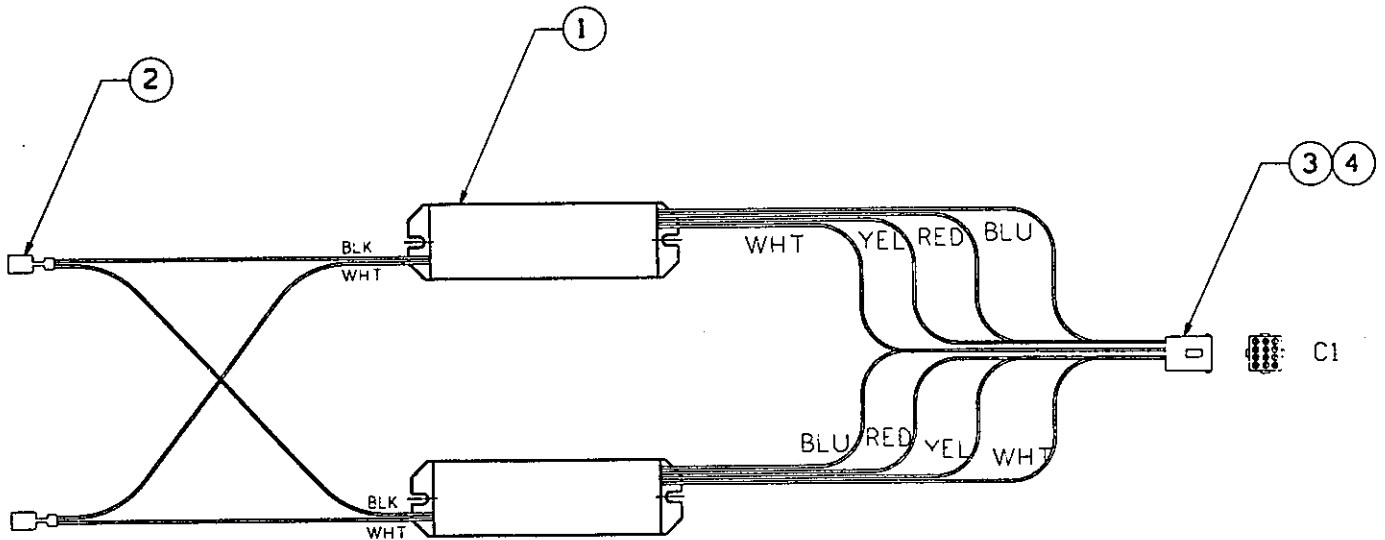
## PARTS LIST FOR POWER BOX ASSEMBLY (DOMESTIC)

ITEM	DESCRIPTION	PART NO.	QTY.
-	POWER BOX ASSEMBLY COMPLETE	097-5150	1
1	POWER BOX W.A.	097-5151	1
2	9 CIRCUIT HOUSING	210-8007	1
3	AUXILIARY OUTLET	19663	1
4	CONTROLLER XFMR ASSY.	097-5096	1
5	RFI FILTER	20758	1
6	PWOER BOX SIDE	097-4098	1
7	DUAL BALLAST ASSY.	097-5095	1
8	SHOPPER RELAY ASSY.	097-5094	1
9	#6-20 X 1/4 SCREW	S39C620-4	1
10	POWER INPUT HARNESS	097-5153	1
11	3 CIRCUIT HOUSING	097-8038	1
12	N/A		
13	SHOPPER XFM ASSY.	097-5152	1
14	GROUND HARNESS	097-5101	2
15	2 AMP CIRCUIT BREAKER	2233001	1
16	3 AMP CIRCUIT BREAKER	2233002	1
17	10 AMP CIRCUIT BREAKER	2233004	1
18	N/A		
19	BALLAST FEED HARNESS	097-5097	1
20	N/R		
21	24 VAC OUTPUT HARNESS	097-5099	1
22	N/A		
23	POWER BOX COVER	097-4175	1
24	#8-32 X 5/16 SEMS SCREW	01715	18
25	#8-32 SEMS HEX NUT	20208	2
26	#8-18 X 5/16 SCREW	01298BLK	1



**POWER BOX SCHEMATIC - FOOD KING**

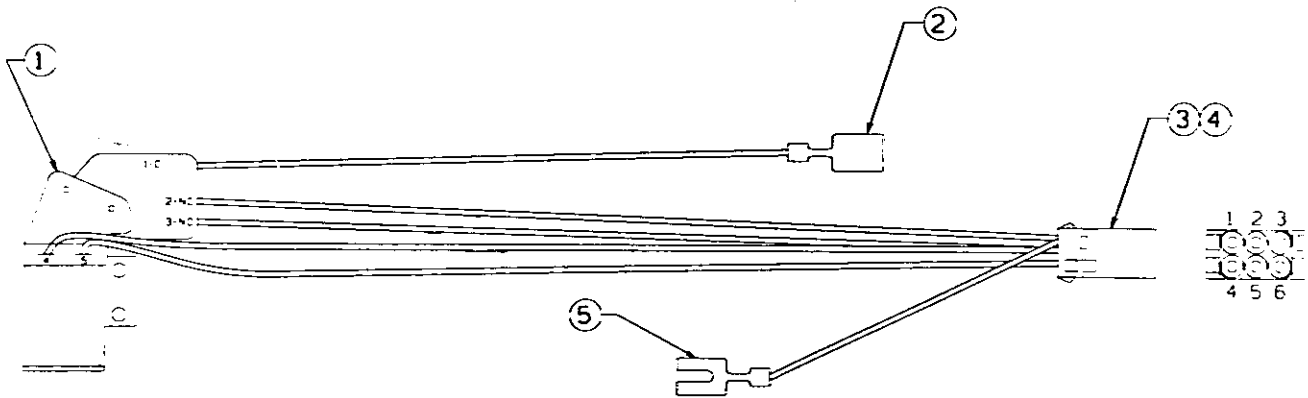
## DUAL BALLAST ASSEMBLY PART NO. 097-5095



ITEM	DESCRIPTION	PART NO.	QTY.
1	BALLAST FOR ONE F13 T5 LAMP	098-8127	2
2	TERMINAL	0204649	2
3	12 CIRCUIT CAP HOUSING	210-8009	1
4	SOCKET CONTACT	210-8000	8

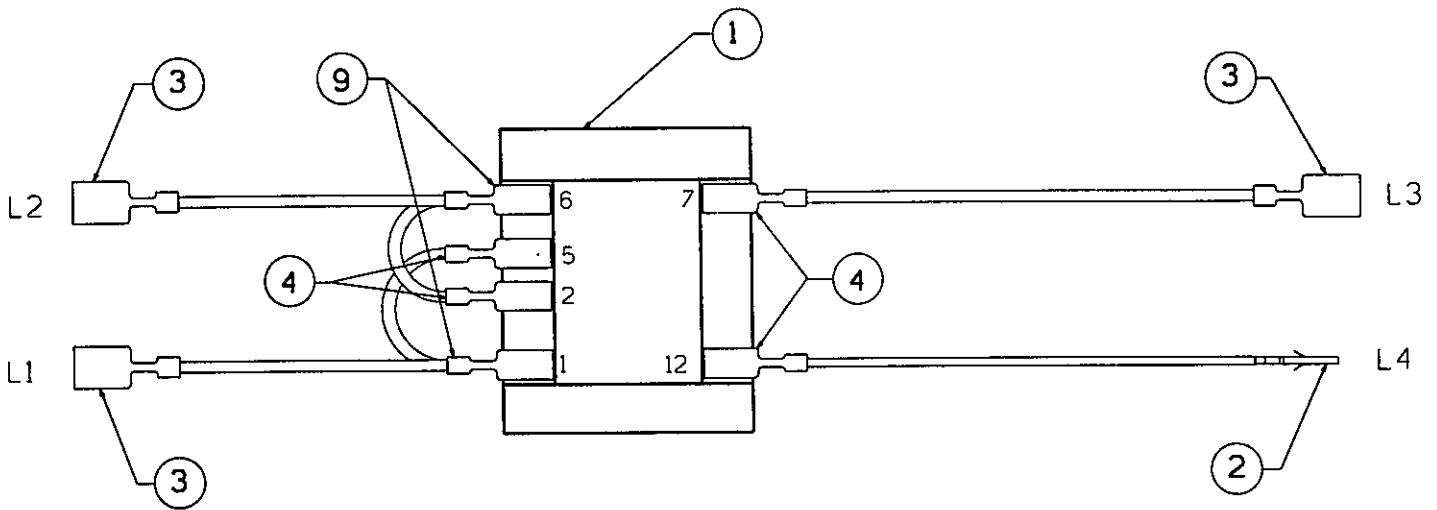


## SHOPPER RELAY ASSEMBLY PART NO. 097-5094



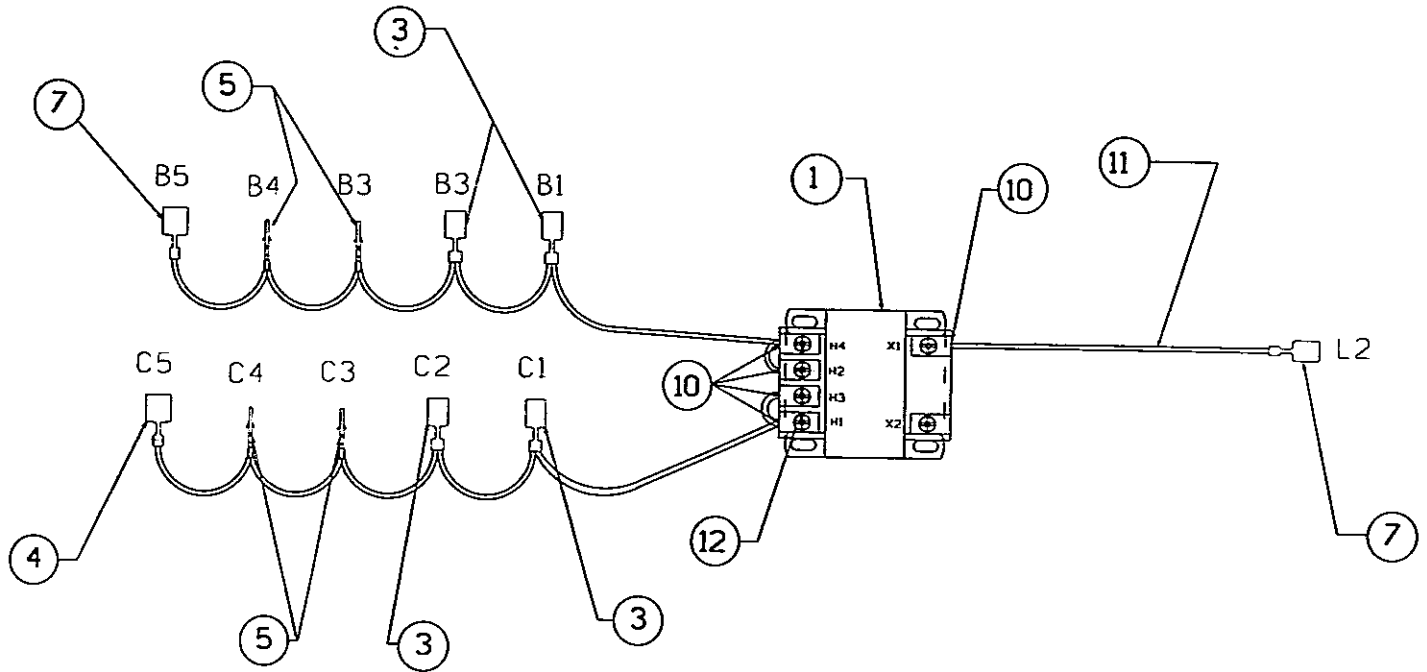
ITEM	DESCRIPTION	PART NO.	QTY.
1	RELAY, 24V DC, FOOD MACHINE	098-8131	1
2	TERMINAL, AMP, #2-520183-2	0204617	6
3	6 CIRCUIT SOCKET	210-8005	1
4	SOCKET CONTACT	210-8000	5
	WIRE - 22 AWG 1015/105°C RED	0809122	4"
	WIRE - 22 AWG 1015/105°C BLACK	0809100	21"
	WIRE - 22 AWG 1015/105°C WHT/YEL	0809194	21"
	WIRE - 22 AWG 1015/105°C ORANGE	0809133	21"
	WIRE - 22 AWG 1015/105°C YELLOW	0809144	43"
5	TERMINAL, FORK	02050	1

## CONTROLLER TRANSFORMER ASSEMBLY PART NO. 097-5096



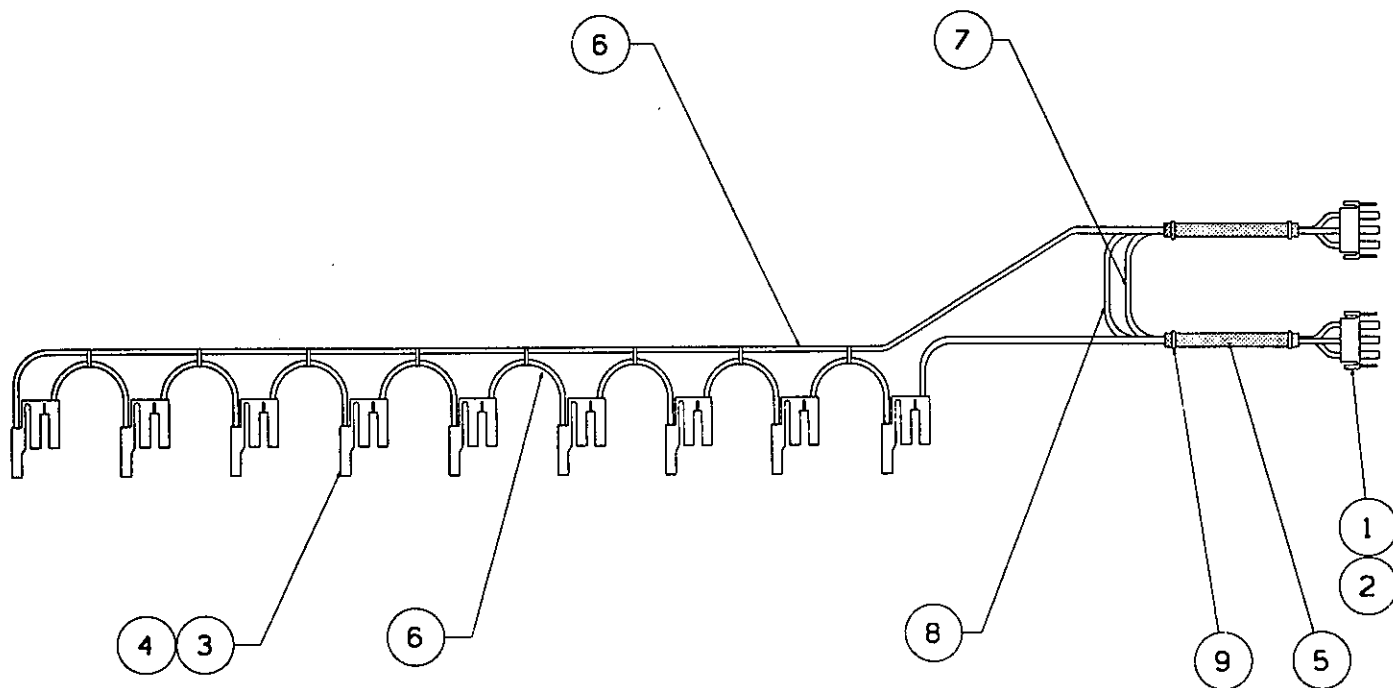
ITEM	DESCRIPTION	PART NO.	QTY.
1	TRANSFORMER, 24VAC-3A	097-8029	1
2	SOCKET, CONTACT	210-8000	1
3	TERMINAL, .250, SINGLE	0204617	3
4	TERMINAL, .188, SINGLE	0204616	4
5	22 GA., UL 1015, RED, WIRE	0809122	18"
6	22 GA., UL 1015, BLK, WIRE	0809100	12"
7	22 GA., UL 1015, YEL, WIRE	0809144	14"
8	22 GA., UL 1015, WHT, WIRE	0809199	12"
9	TERMINAL, .188, DOUBLE	0204652	2

## SHOPPER TRANSFORMER ASSEMBLY PART NO. 097-5152



ITEM	DESCRIPTION	PART NO.	QTY.
1	TRANSFORMER, SHOPPER	097-8036	1
3	TERMINAL, .250 FEM., DBL. WIRE	0204650	4
4	TERMINAL, .250 MALE	0204660	1
5	SOCKET CONTACT	0204633	4
7	TERMINAL, .250 FEM. SNGL. WIRE	0204617	2
8	20GA. UL 1015, BLK WIRE	0809000	25"
9	20GA, UL 1015, WHT WIRE	0809099	45 1/2"
10	TERMINAL, FORK RED #8	02050	3
11	22GA, UL 1015, YEL WIRE	0809144	5"
12	TERMINAL, FORK BLUE #8	020493	2

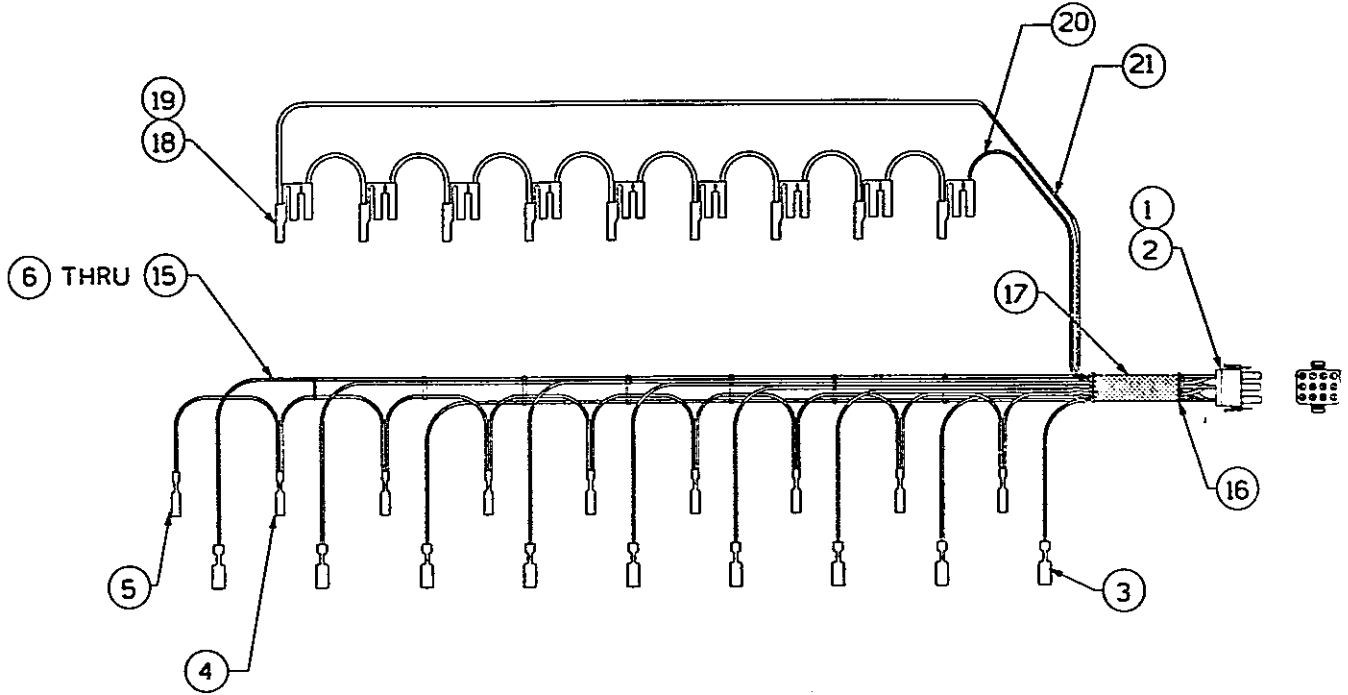
**DOOR INTERLOCK SWITCH HARNESS  
PART NO. 097-5083**



NOTE: THIS HARNESS IS LOCATED IN THE COLD FOOD DOOR ASSEMBLY AND CONNECTS TO THE SHOPPER MOTOR FEED HARNESS AND SHOPPER INTERCONNECT HARNESS.

ITEM	DESCRIPTION	PART NO.	QTY.
1	PLUG, HOUSING	230-8012	2
2	PIN, CONTACT	210-8001	6
3	RECEPTACLE HOUSING	412-8007	9
4	187 A.M.P. RECEPTACLE	001-8044	18
5	1/4" FLEXO TUBING	099-8060	27"
6	20 G.A. UL 1015 ORANGE	0809033	198"
7	20 G.A. UL 1015 RED	0809022	36.5"
8	20 G.A. UL 1015 YELLOW	0809044	36.5"
9	TIE, WIRE	021201	12

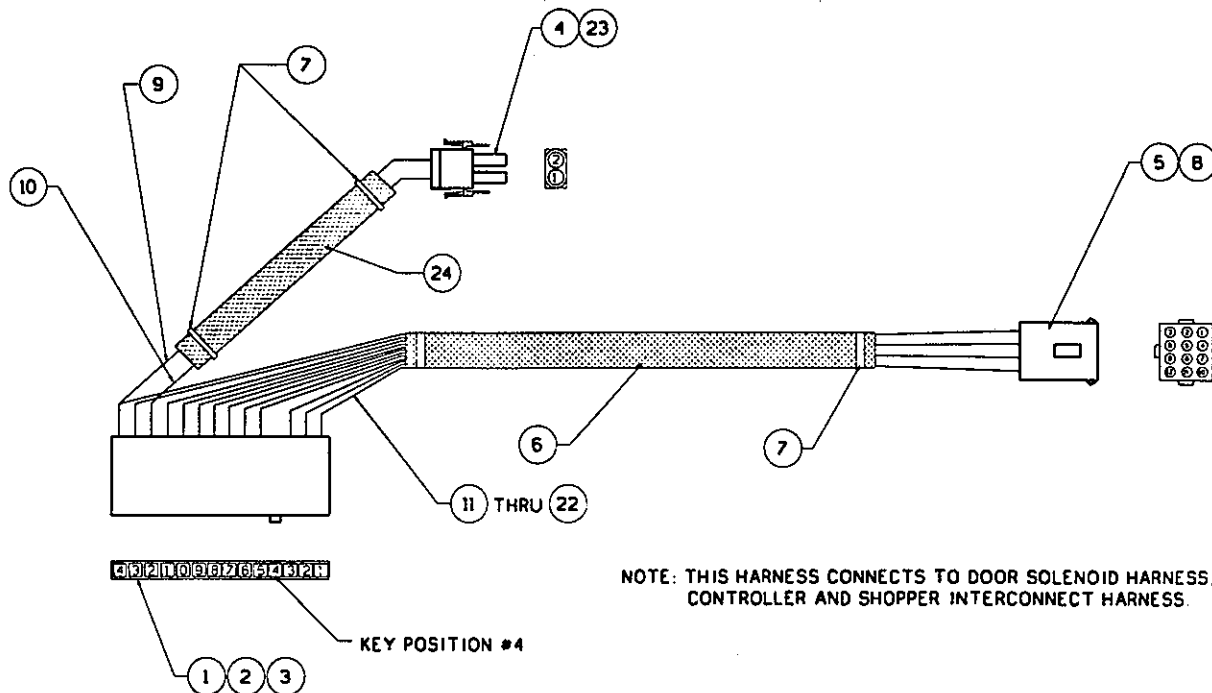
**DOOR SOLENOID HARNESS  
PART NO. 097-5082**



NOTE: THIS HARNESS IS LOCATED ON THE COLD FOOD DOOR AND CONNECTS TO THE DOOR SOLENOID INTERCONNECT HARNESS.

ITEM	DESCRIPTION	PART NO.	QTY.
1	PLUG HOUSING, 12 CIRCUIT	210-8008	1
2	PIN, CONTACT	210-8001	10
3	TERMINAL, .187-SINGLE	0204616	9
4	TERMINAL, .110-DOUBLE	17780	8
5	TERMINAL, .110-SINGLE	0204670	1
6	WIRE, 22 GA., WHT, UL1569	08091999	114"
7	WIRE, 22 GA., RED, UL1015	0809122	58"
8	WIRE, 22 GA., BLU, UL1015	0809166	53"
9	WIRE, 22 GA., ORG, UL1015	0809133	48"
10	WIRE, 22 GA., YEL, UL1015	0809144	43"
11	WIRE, 22 GA., VOIL, UL1015	0809177	38"
12	WIRE, 22 GA., BRN, UL1015	0809111	33"
13	WIRE, 22 GA., GRY, UL1015	0809188	28"
14	WIRE, 22 GA., WHT/RED, UL1015	0809192	23"
15	WIRE, 22 GA., WHT/BLU, UL1015	0809196	18"
16	WIRE TIE	021201	9
17	SLEEVING, 1/2 EXPANDO	18397	11 1/2"
18	RECEPTACLE HOUSING	412-8007	9
19	187 A.M.P. RECEPTACLE	001-8044	18
20	SS G.A. UL 1015 WHT/ORG	0809133	108"
21	22 G.A. UL 1015 BLK	0809100	66"

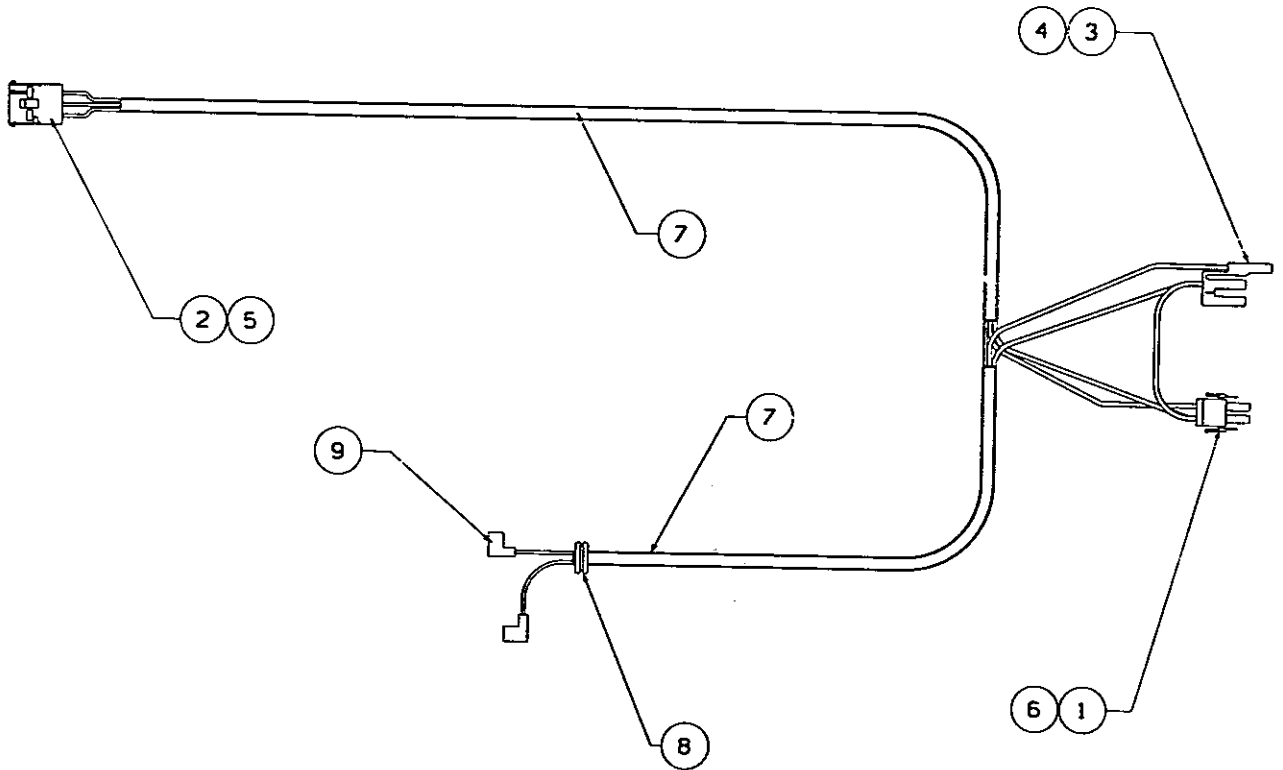
## DOOR SOLENOID INTERCONNECT HARNESS PART NO. 097-5051



NOTE: THIS HARNESS CONNECTS TO DOOR SOLENOID HARNESS, CONTROLLER AND SHOPPER INTERCONNECT HARNESS.

ITEM	DESCRIPTION	PART NO.	QTY.
1	CONNECTOR, MOLEX #09-50-3141	17376	1
2	TERMINAL, 24788	08055	13
3	KEY, POLARIZING, #15-04-0219	17328	1
4	2 CIRCUIT PLUG HSG.	210-8002	1
5	SOCKET CONTACT	210-8000	12
6	SLEEVING, EXPANDO 1/2"	18397	68"
7	TIE - WIRE	021201	4
8	12 CIRCUIT CAP HSG.	210-8009	1
9	22 GA. UL 1569, BLACK WIRE	08091001	8"
10	22 GA. UL 1015, WHITE/YELLOW WIRE	0809194	8"
11	22 GA. UL 1015, WHITE WIRE	0809199	72"
12	22 GA. UL 1015, RED WIRE	0809122	72"
13	22 GA. UL 1015, ORANGE WIRE	0809133	72"
14	22 GA. UL 1015, YELLOW WIRE	0809144	72"
15	22 GA. UL 1015, VIOLET WIRE	0809177	72"
16	22 GA. UL 1015, BROWN WIRE	0809111	72"
17	22 GA. UL 1015, GRAY WIRE	0809188	72"
18	22 GA. UL 1015, WHITE/RED WIRE	0809192	72"
19	22 GA. UL 1015, WHT/BLU WIRE	0809196	72"
20	22 GA. UL 1015, BLK WIRE	0809100	72"
21	22 GA. UL 1015, WHT/ORG WIRE	0809193	72"
22	22 GA. UL 1015, BLU WIRE	0809166	72"
23	PIN, CONTACT	210-8001	2
24	1/4" SLEEVING	099-8060	6"

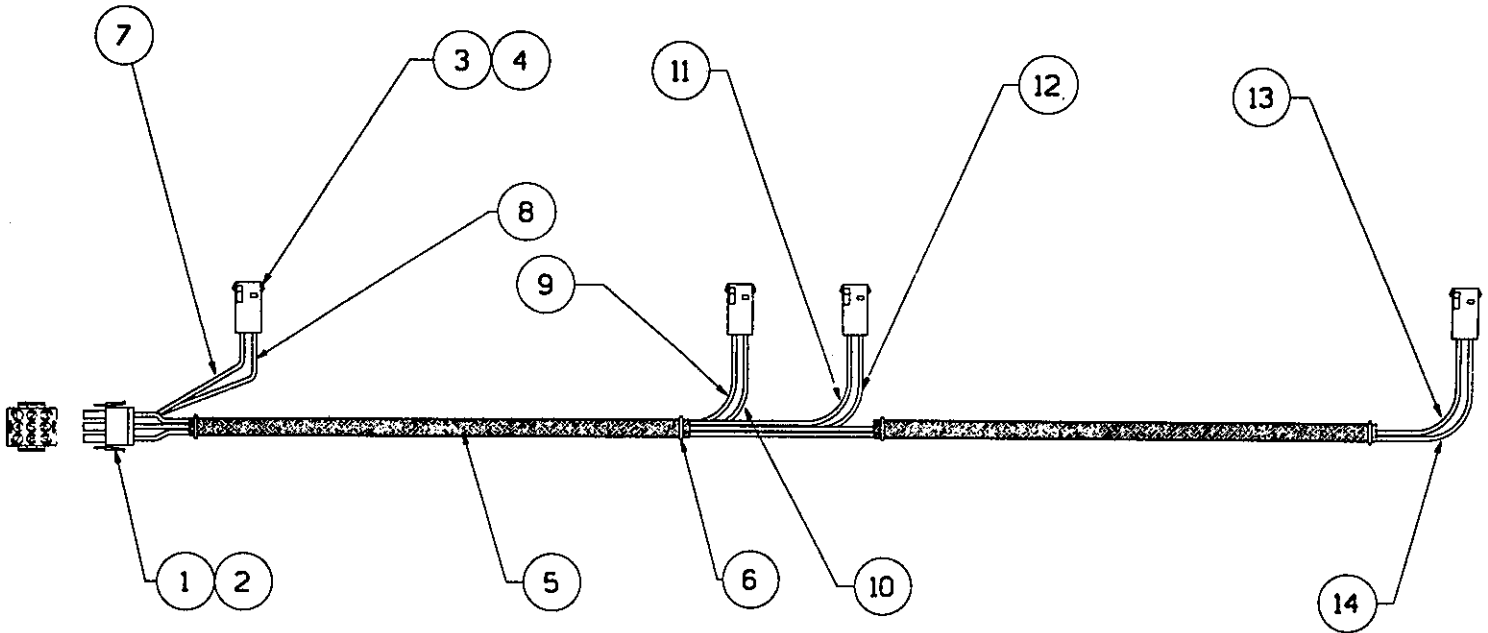
## SHOPPER MOTOR FEED HARNESS PART NO. 097-5055



NOTE: THIS HARNESS CONNECTS TO THE SHOPPER MOTOR AND THE DOOR INTERLOCK SWITCH HARNESS.

ITEM	DESCRIPTION	PART NO.	QTY.
1	PLUG, HOUSING	210-8002	1
2	SOCKET, CONTACT	210-8000	3
3	RECEPTACLE HOUSING	412-8007	1
4	187 A.M.P. RECEPTACLE	001-8044	2
5	CAP HOUSING	230-8011	1
6	PIN, CONTACT	210-8001	2
7	.263 DIA. PLASTIC TUBING	098-8023	45"
8	1/2" RUBBER GROMMET	001-8021	1
9	TERMINAL, RT ANGLE .187	0204647	2
10	22 G.A. UL 1569 ORANGE	08091933	58"
11	22 G.A. UL 1569 RED	08091222	40"
12	22 G.A. UL 1569 YELLOW	08091444	52"

## COLD FOOD LAMP FEED HARNESS PART NO. 097-5088

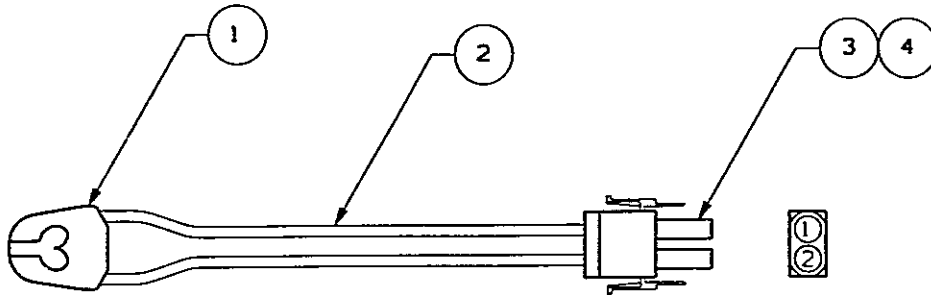


NOTE: THIS HARNESS CONNECTS TO LOWER LAMP SOCKET ASSEMBLY, UPPER LAMP SOCKET ASSEMBLY AND LMAP INTERCONNECT HARNESS.

ITEM	DESCRIPTION	PART NO.	QTY.
1	PLUG, HOUSING	210-8006	1
2	CONTACT PIN	210-8001	8
3	CAP HOUSING	210-8003	4
4	SOCKET CONTACT	210-8000	8
5	1/4" DIA. FLEXO TUBING	099-8060	36"
6	WIRE TIE	021201	4
7	WIRE, 22 G.A., BLU, UL 1015	0809166	4"
8	WIRE, 22 G.A., RED, UL 1015	0809122	4"
9	WIRE, 22 G.A., YEL, UL 1015	0809144	21"
10	WIRE, 22 G.A., WHT, UL 1015	0809199	21"
11	WIRE, 22 G.A., WHT/BLU, UL 1015	0809196	24"
12	WIRE, 22 G.A., WHT/RED, UL 1015	0809192	24"
13	WIRE, 22 G.A., WHT/YEL, UL 1015	0809194	42"
14	WIRE, 22 G.A., WHT/GRY, UL 1015	0809198	42"



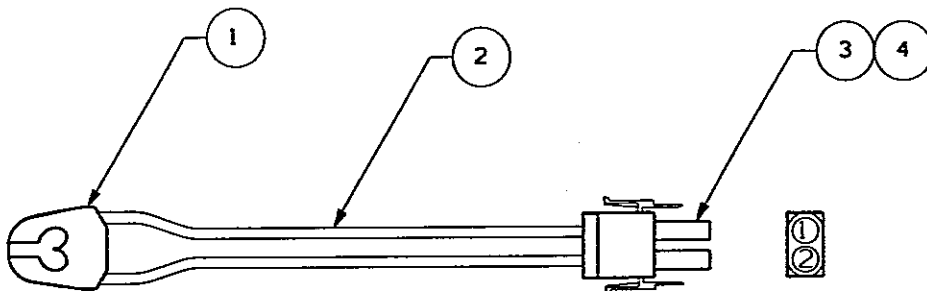
## LOWER LAMP SOCKET ASSEMBLY PART NO. 097-5089



NOTE: THIS HARNESS ASSEMBLY IS LOCATED IN THE COLD FOOD COMPARTMENT LOWER INNER GUARD ASSEMBLY.

ITEM	DESCRIPTION	PART NO.	QTY.
1	LAMP END	097-8006	1
2	PLUG HOUSING	210-8002	1
3	PIN, CONTACT	210-8001	2
4	WIRE-22 GA. TINNED T.C. BLK	020092	8"

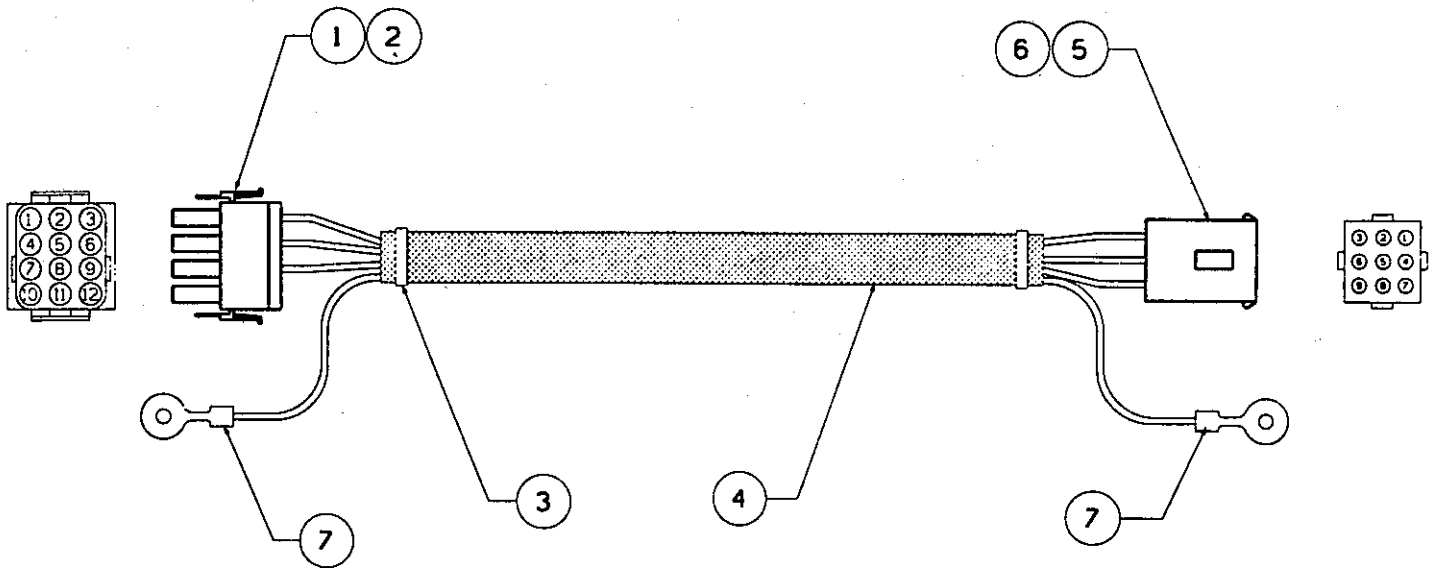
## UPPER LAMP SOCKET ASSEMBLY PART NO. 097-5090



NOTE: THIS HARNESS ASSEMBLY IS LOCATED IN THE COLD FOOD COMPARTMENT LOWER UPPER GUARD ASSEMBLY.

ITEM	DESCRIPTION	PART NO.	QTY.
1	LAMP END	097-8006	1
2	PLUG HOUSING	210-8002	1
3	PIN, CONTACT	210-8001	2
4	18 G.A. T.C. 1/32 INSUL RED	020203	8"

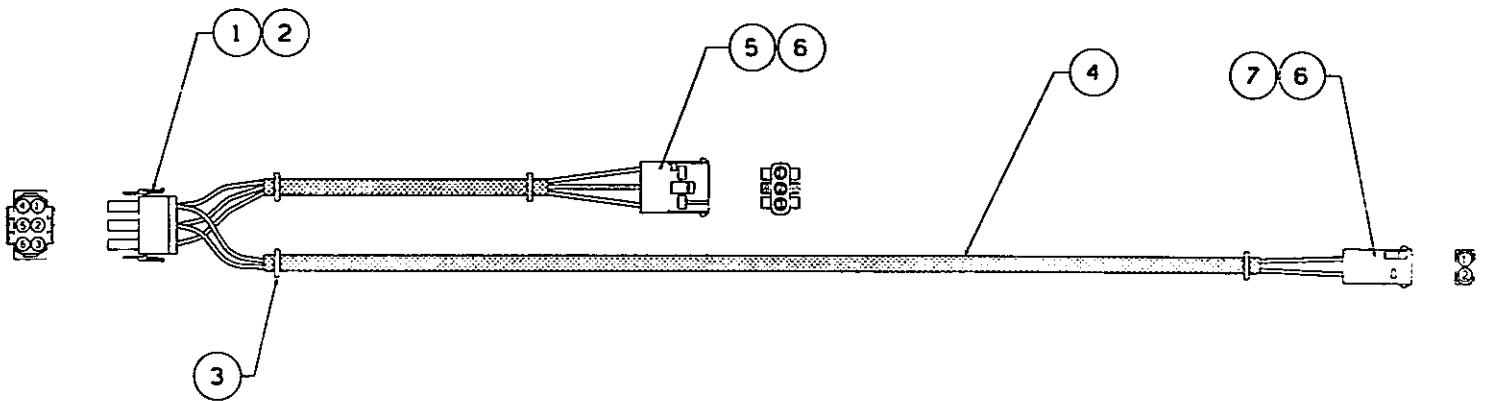
## LAMP INTERCONNECT HARNESS PART NO. 097-5062



**NOTE: THIS HARNESS CONNECTS TO COLD FOOD LAMP FEED HARNESS AND POWER BOX ASSEMBLY.**

ITEM	DESCRIPTION	PART NO.	QTY.
1	PLUG HOUSING, 12 CIRCUIT	210-8008	1
2	CONTACT PIN	210-8001	1
3	TIE, TY-RAP	021201	2
4	SLEEVING, EXPANDO 1/2"	18397	48"
5	SOCKET, 9 CIRCUIT	210-8007	1
6	SOCKET CONTACT	210-8000	1
	WIRE, 22 AWG 1015/105° C BLUE	0809166	50"
	WIRE, 22 AWG 1015/105° C RED	0809122	50"
	WIRE, 22 AWG 1015/105° C YELLOW	0809144	50"
	WIRE, 22 AWG 1015/105° C WHITE	0809199	50"
	WIRE, 22 AWG 1015/105° C WHT/BLU	0809196	50"
	WIRE, 22 AWG 1015/105° C WHT/RED	0809192	50"
	WIRE, 22 AWG 1015/105° C WHT/YEL	0809194	50"
	WIRE, 22 AWG 1015/105° C WHT/GRY	0809198	50"
	WIRE, 22 AWG 1015/105° C GRN/YEL	0809054	60"
7	TERMINAL, RING	0204614	2

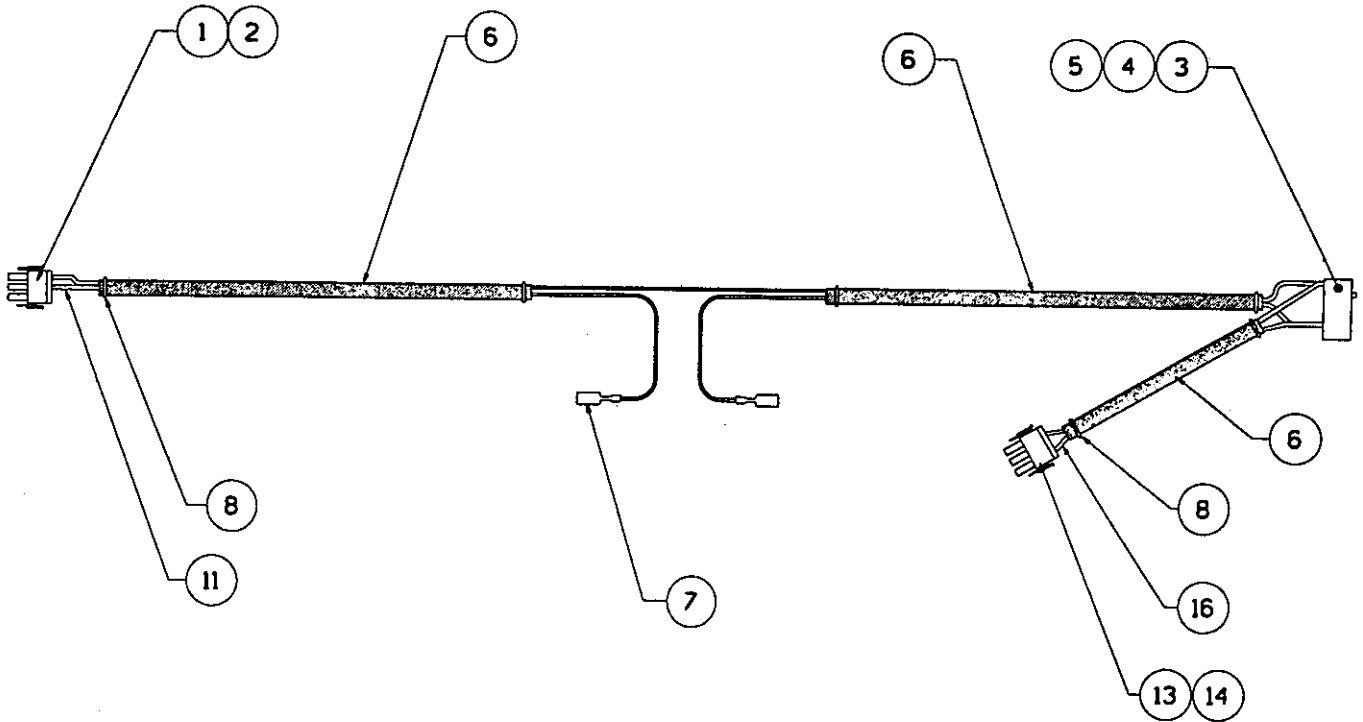
## SHOPPER INTERCONNECT HARNESS PART NO. 097-5059



NOTE: THIS HARNESS CONNECTS TO DOOR INTERLOCK SWITCH HARNESS, DOOR SOLENOID INTERLOCK HARNESS AND POWER BOX.

ITEM	DESCRIPTION	PART NO.	QTY.
1	PLUG, 6 CIRCUIT	210-8004	1
2	CONTACT PIN	210-8001	5
3	TIE, TY-RAP	021201	4
4	FLEXO TUBING, BLACK, 1/4"	099-8060	81"
5	HOUSING, 3 CIRCUIT	230-8011	1
6	SOCKET CONTACT	210-8000	5
7	SOCKET, 2 CIRCUIT	210-8003	1
	WIRE - 22 AWG 1015/105° C RED	0809122	20"
	WIRE - 22 AWG 1015/105° C YELLOW	0809144	20"
	WIRE - 22 AWG 1015/105° C ORANGE	0809133	20"
	WIRE - 22 AWG 1015/105° C BLACK	0809100	65"
	WIRE - 22 AWG 1015/105° C WHT/YEL	0809194	65"

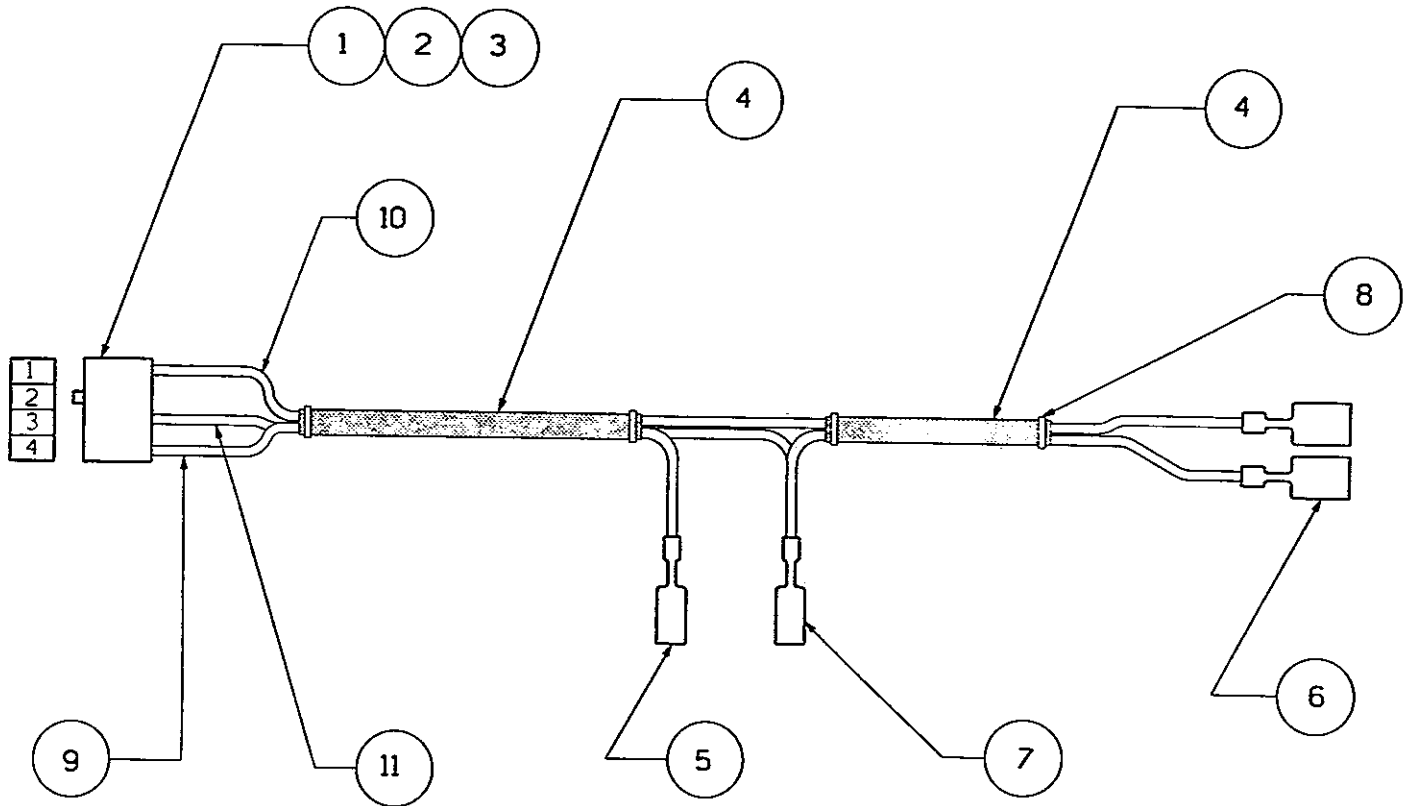
**POWER FEED / CONTROLLER HARNESS  
PART NO. 097-5053**



NOTE: THIS HARNESS CONNECTS TO THE POWER BOX AND CONTROLLER BOARD.

ITEM	DESCRIPTION	PART NO.	QTY.
1	PLUG HOUSING, 12 CIRCUIT	210-8006	1
2	CONTACT PIN	210-8001	2
3	CONNECTOR	1787206	1
4	POLARIZING KEY	17328	1
5	MOLEX TERMINAL	08055	4
6	1/4" DIA. FLEXO TUBING	099-8060	85"
7	TERMINAL	0204616	2
8	WIRE TIE	021201	6
11	WIRE, 22 G.A., RED, UL 1015	0809122	36"
13	PLUG - 3 CIRCUIT	230-8012	1
14	PIN, CONTACT	210-8001	2
15	WIRE, 22 GA, RED U.L. 1569	08091222	64"
16	WIRE, 22 GA, YELLOW, UL 1569	08091444	88"

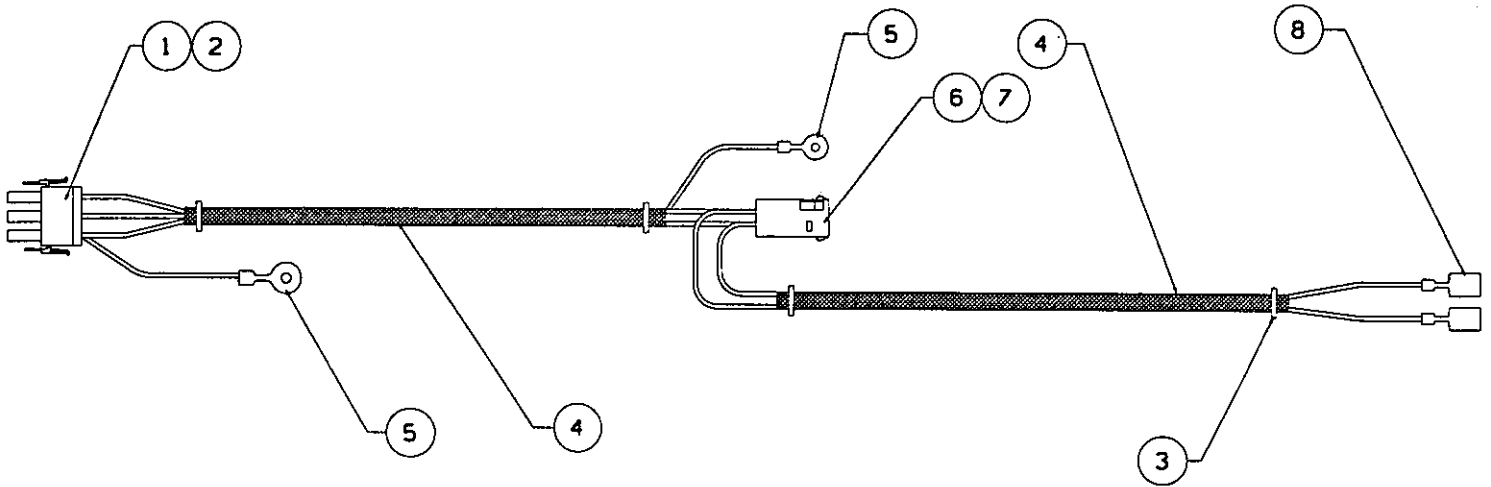
**HEALTH AND SAFETY HARNESS  
PART NO. 097-5056**



NOTE: THIS HARNESS CONNECTS TO THE CONTROLLER BOARD AND POWER FEED / CONTROLLER HARNESS.

ITEM	DESCRIPTION	PART NO.	QTY.
1	POLARIZING KEY	17328	1
2	CONNECTOR	1787204	1
3	MOLEX TERMINAL	08055	3
4	TUBING - 1/4"	099-8060	80"
5	TERMINAL	0204616	1
6	TERMINAL	0204617	2
7	TERMINAL	0204652	1
8	WIRE TIE	021201	4
9	WIRE, 22 GA., YEL, UL1569	08091444	60"
10	WIRE, 22 GA., BLK, UL1569	08091001	89"
11	WIRE, 22 GA., RED. UL1569	08091222	85"

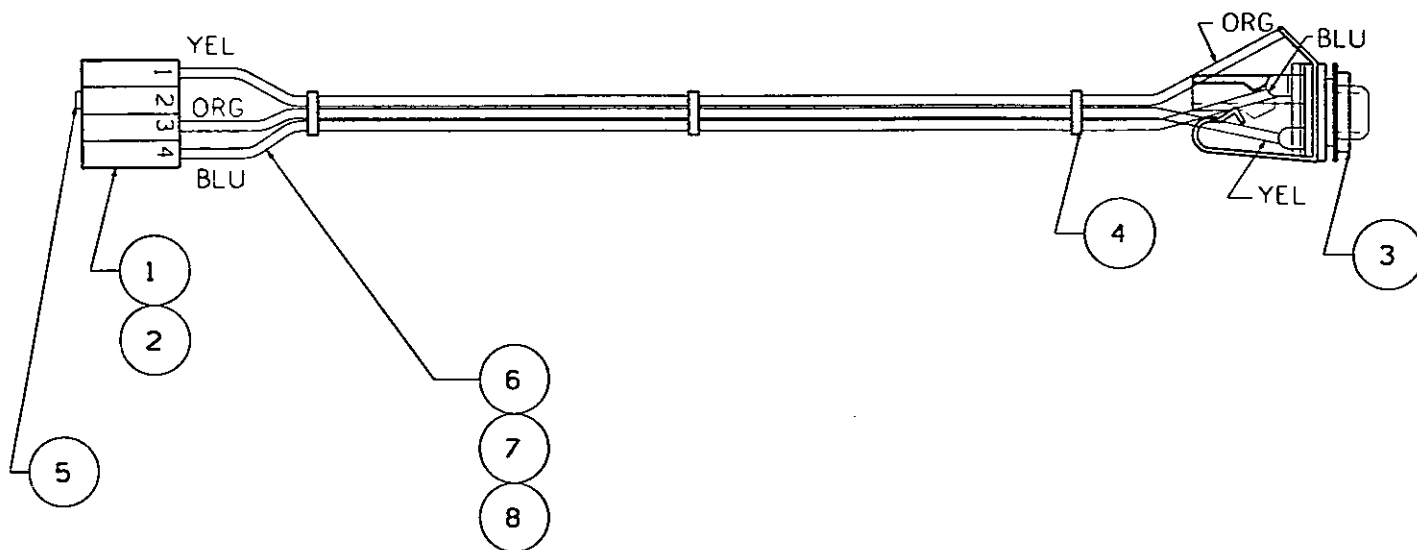
**BLOWER / HEAT STRIP HARNESS  
PART NO. 097-5060**



NOTE: THIS HARNESS CONNECTS TO POWER BOX ASSEMBLY. HEAT STRIP AND BLOWER MOTOR WHICH IS LOCATED ON THE SHADOW BOX ASSEMBLY / SERVICE DOOR.

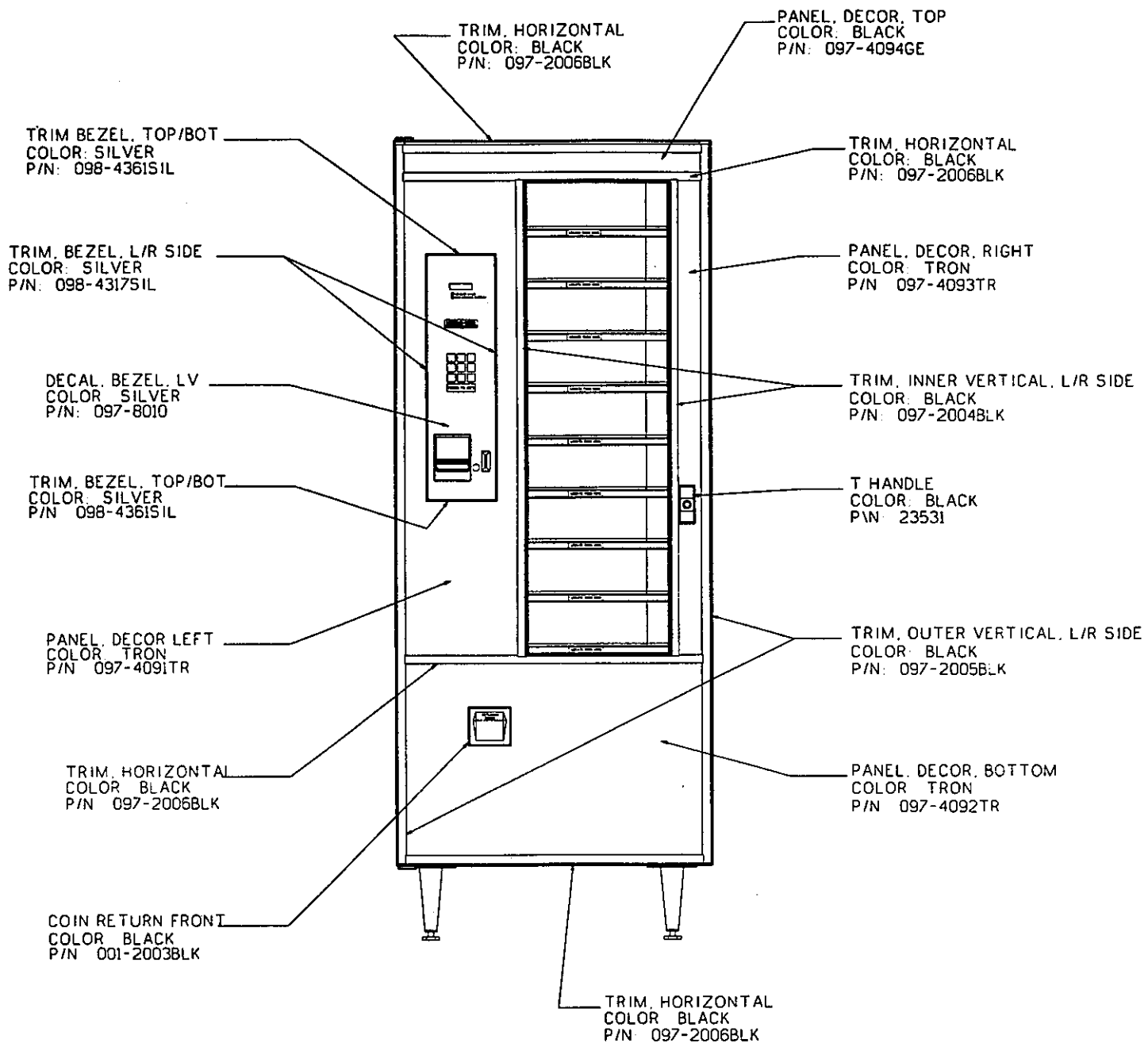
ITEM	DESCRIPTION	PART NO.	QTY.
1	PLUG HOUSING, 3 CIRCUIT	097-8037	1
2	CONTACT PIN	210-8001	3
3	TIE, TY-RAP	021201	4
4	TUBING, BLK, 1/4"	001-8009	50"
5	TERMINAL, AMP, #607711	0204614	2
6	SOCKET CONTACT	210-8000	2
7	SOCKET, 2 CIRCUIT	210-8003	1
8	TERMINAL, AMP, #2-520183-2	0204617	2
9	WIRE, 22 AWG 1569/105° C WHITE	08091999	54
10	WIRE, 22 AWG 1569/105° C BLACK	08091001	54"
11	WIRE, 22 AWG 159/105° C GREEN	08091955	60"

**DEX / UCS HARNESS  
PART NO. 097-5118**



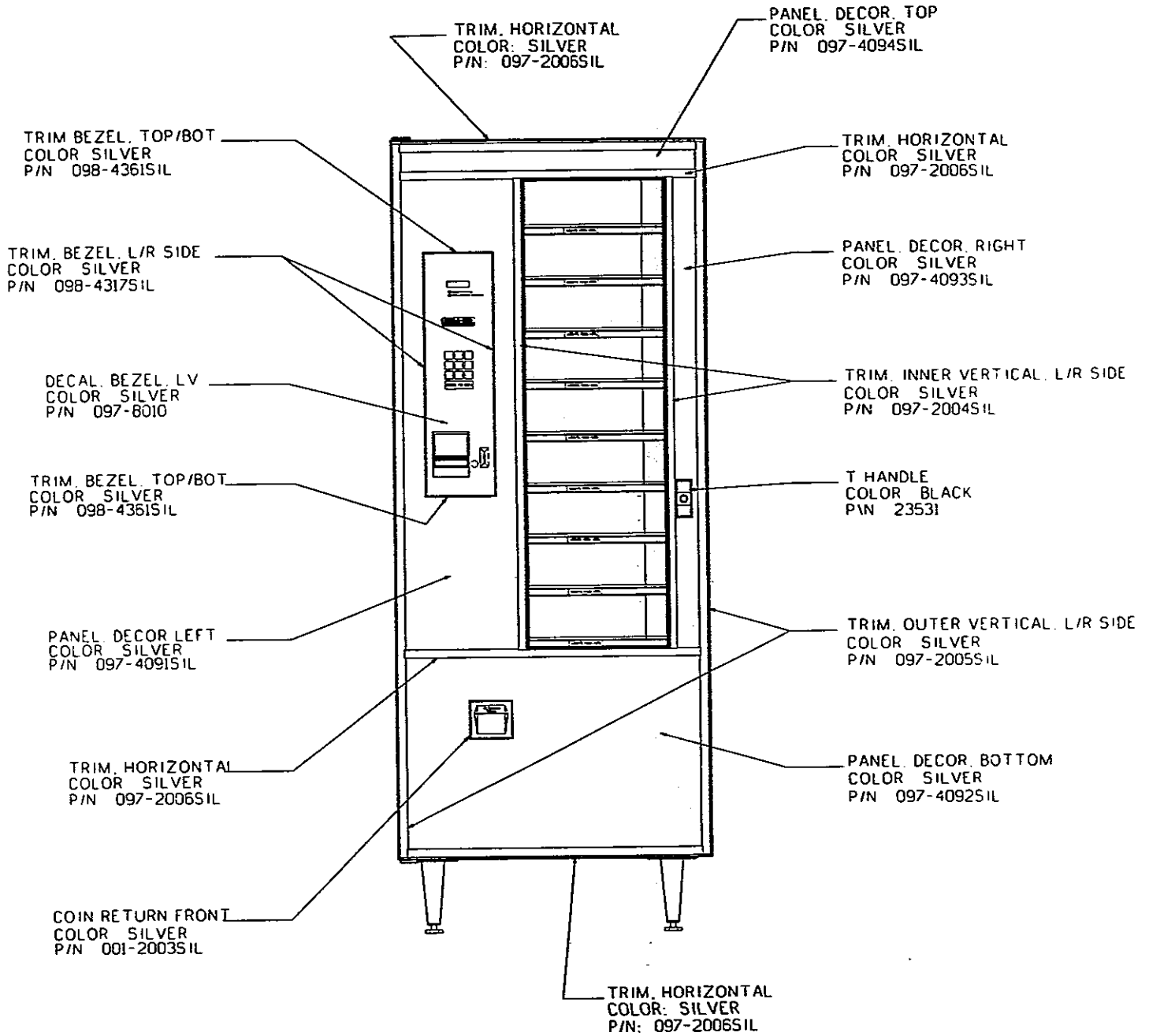
NOTE: THIS HARNESS IS LOCATED ON THE SERVICE DOOR ASSEMBLY AND CONNECTS TO THE CONTROLLER, ALSO MOUNTED ON THE SERVICE DOOR.

ITEM	DESCRIPTION	PART NO.	QTY.
1	CONNECTOR, 4 POS., WITH LOCK RAMP	18874034	1
2	TERMINAL, MOLEX #08-55-0101	0204663	3
3	PHONE, JACK, LITTEL-JAX	098-8135	1
4	WIRE TIE	021201	3" EA
5	KEY, POLARIZING	18874001	1
6	WIRE, 22 G.A., YEL, UL 1569	08091444	8 3/4"
7	WIRE, 22 G.A., ORG, UL 1569	08091933	8 3/4"
8	WIRE, 22 G.A., BLU, UL 1569	08091666	8 3/4"

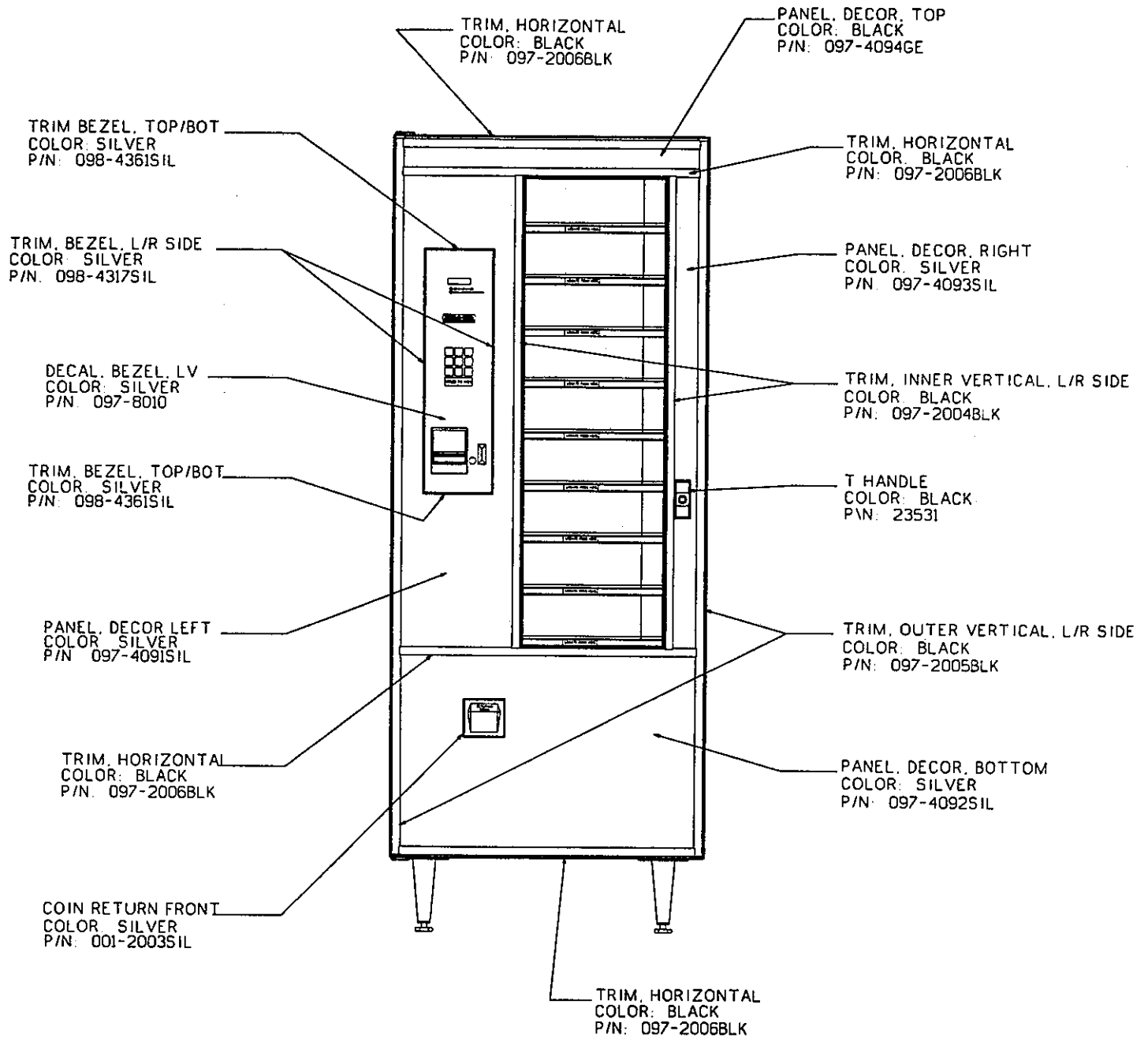


MODEL: FOOD KING  
 STYLE: TRON  
 SERIES: LEKTROVEND

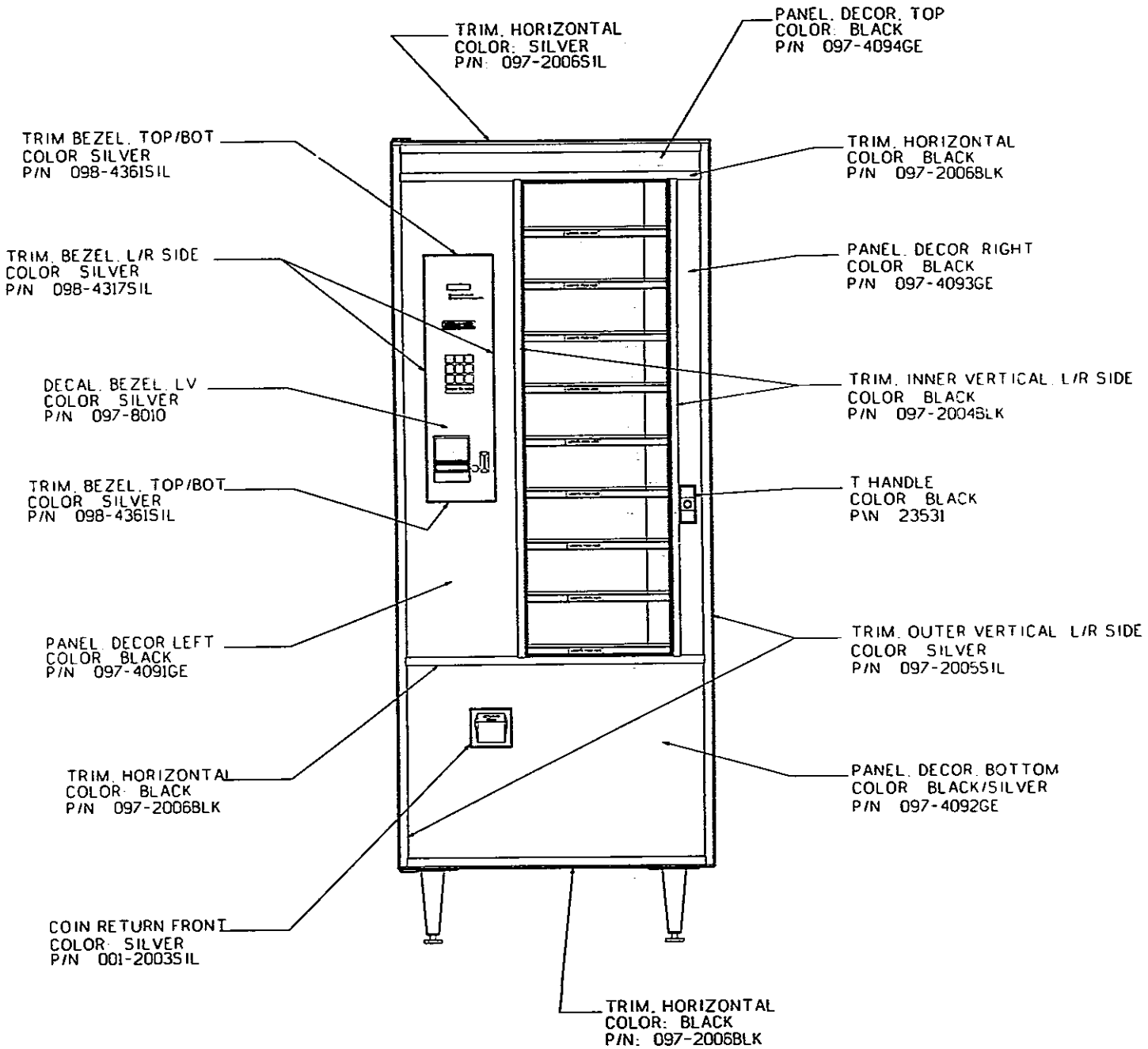




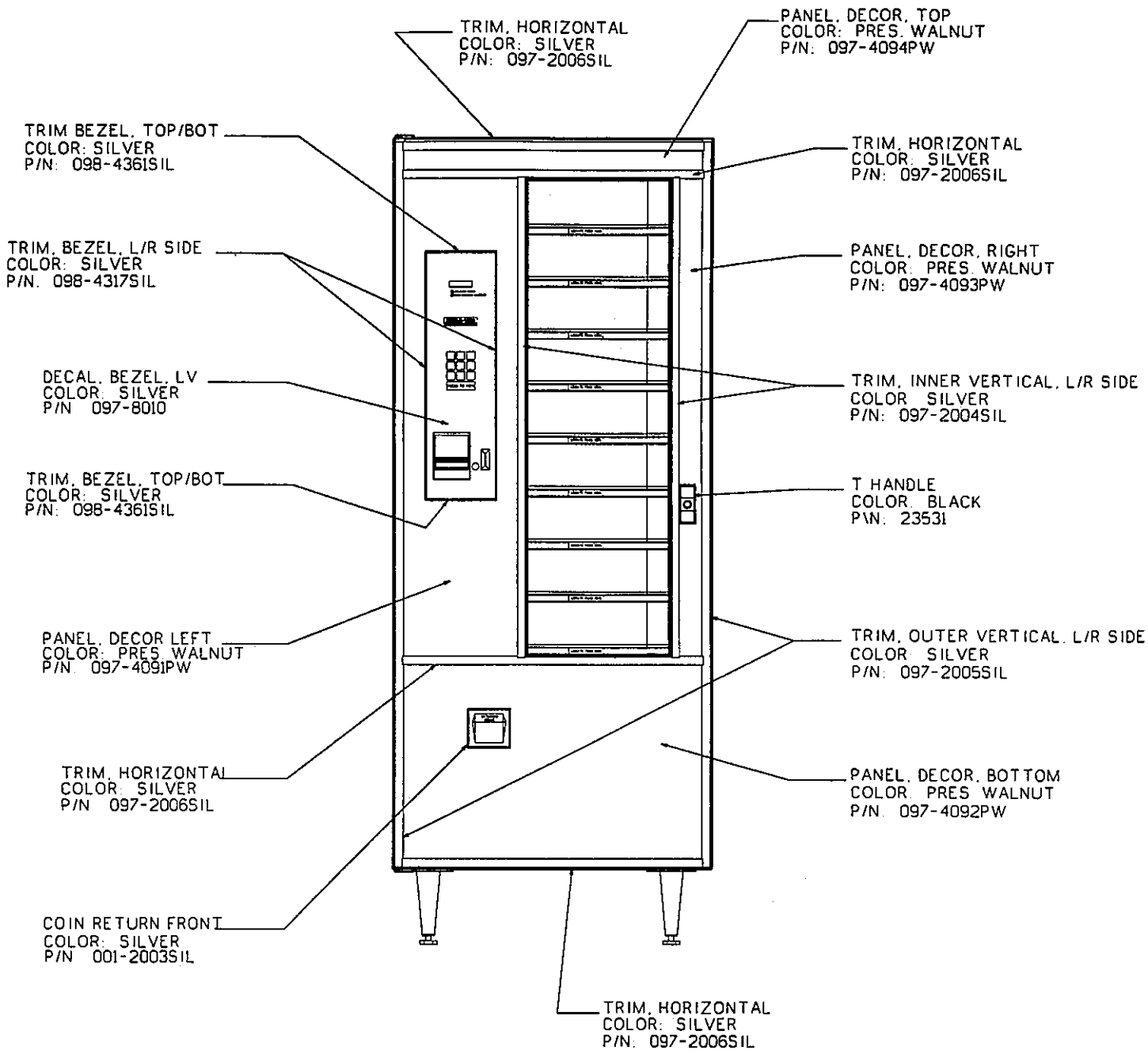
MODEL: FOOD KING  
 STYLE: STERLING ROYCE  
 SERIES: LEKTROVEND



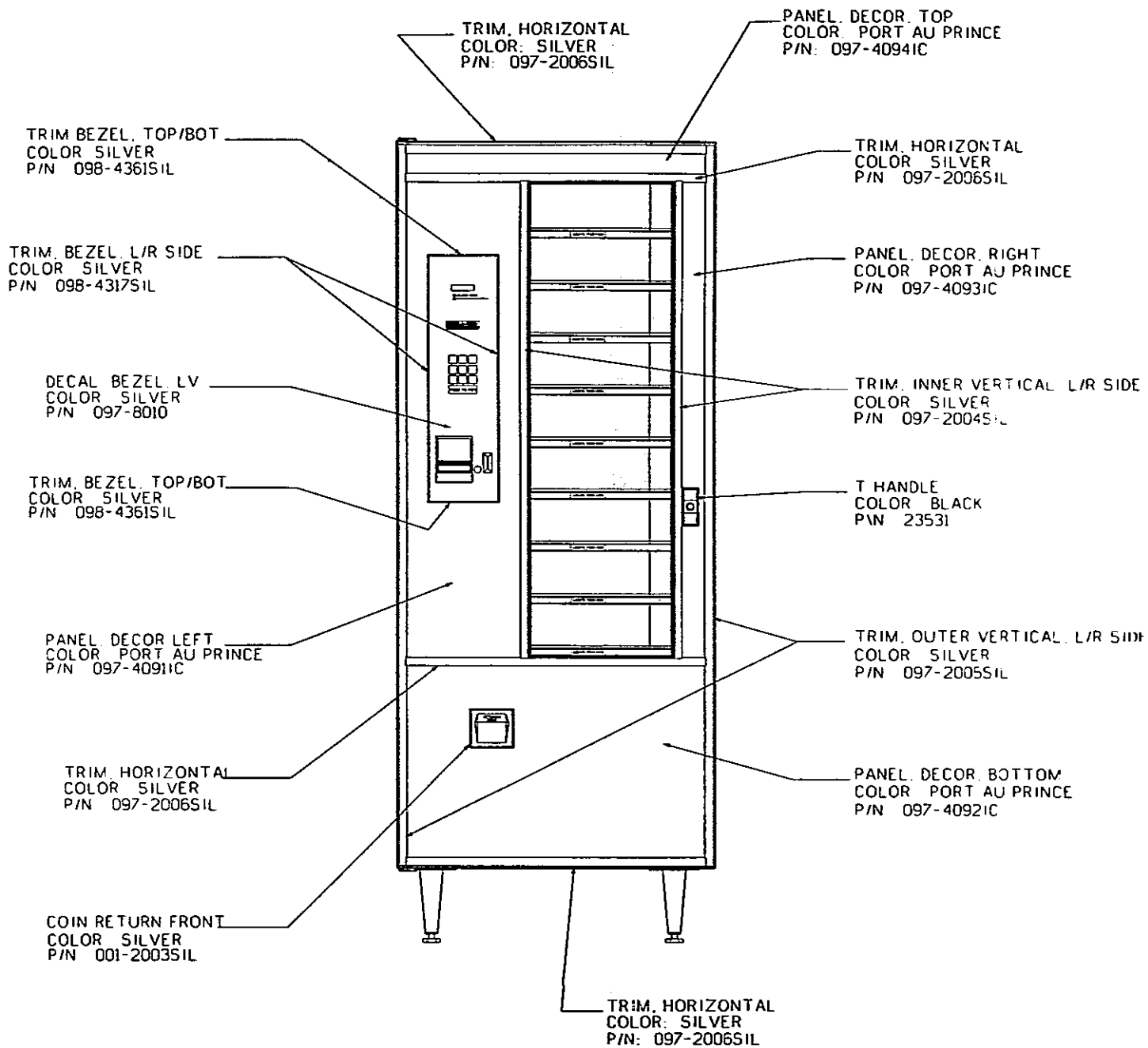
MODEL: FOOD KING  
 STYLE: SIGNATURE  
 SERIES: LEKTROVEND



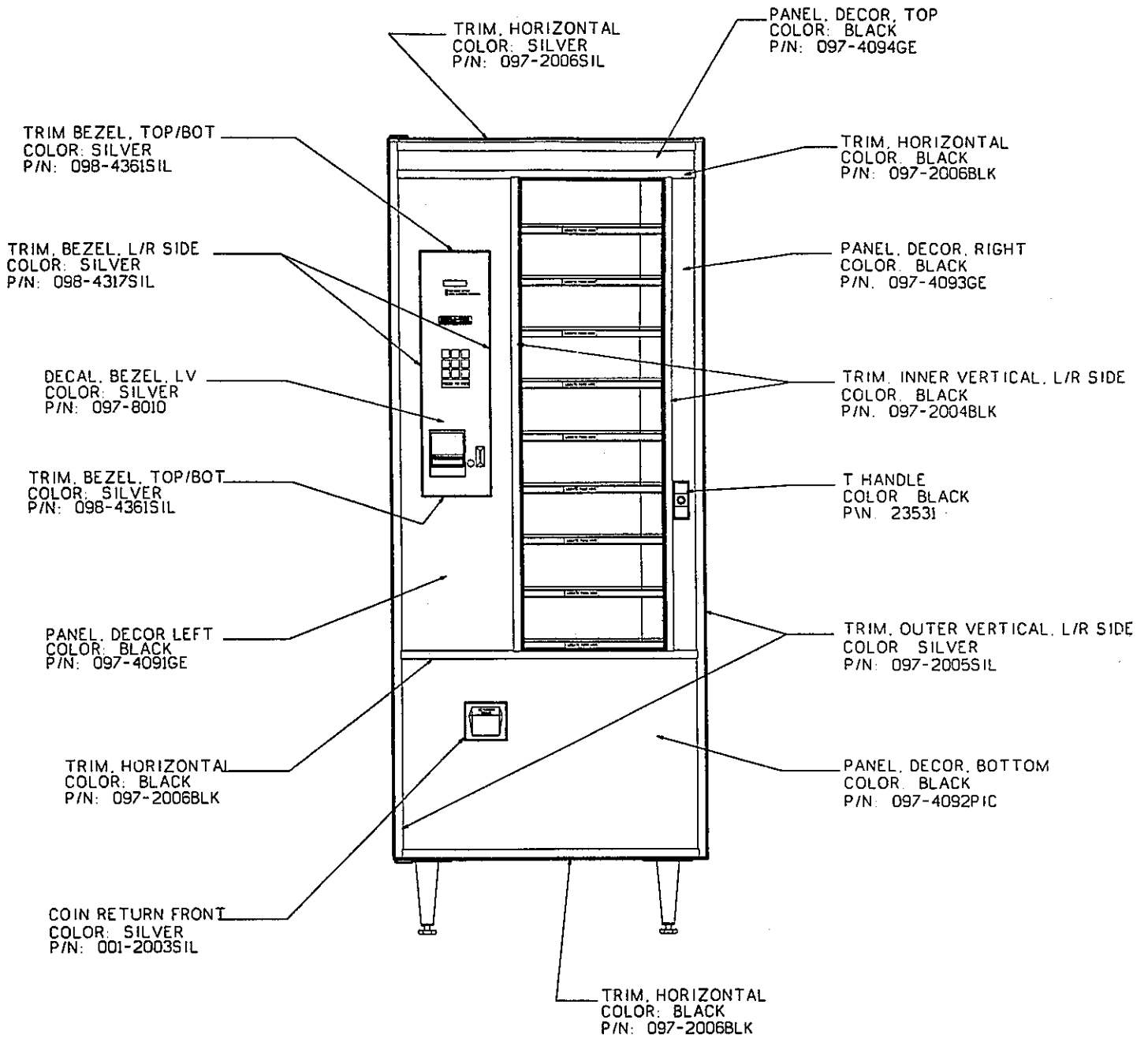
MODEL: FOOD KING  
 STYLE: GENESIS  
 SERIES: LEKTROVEND



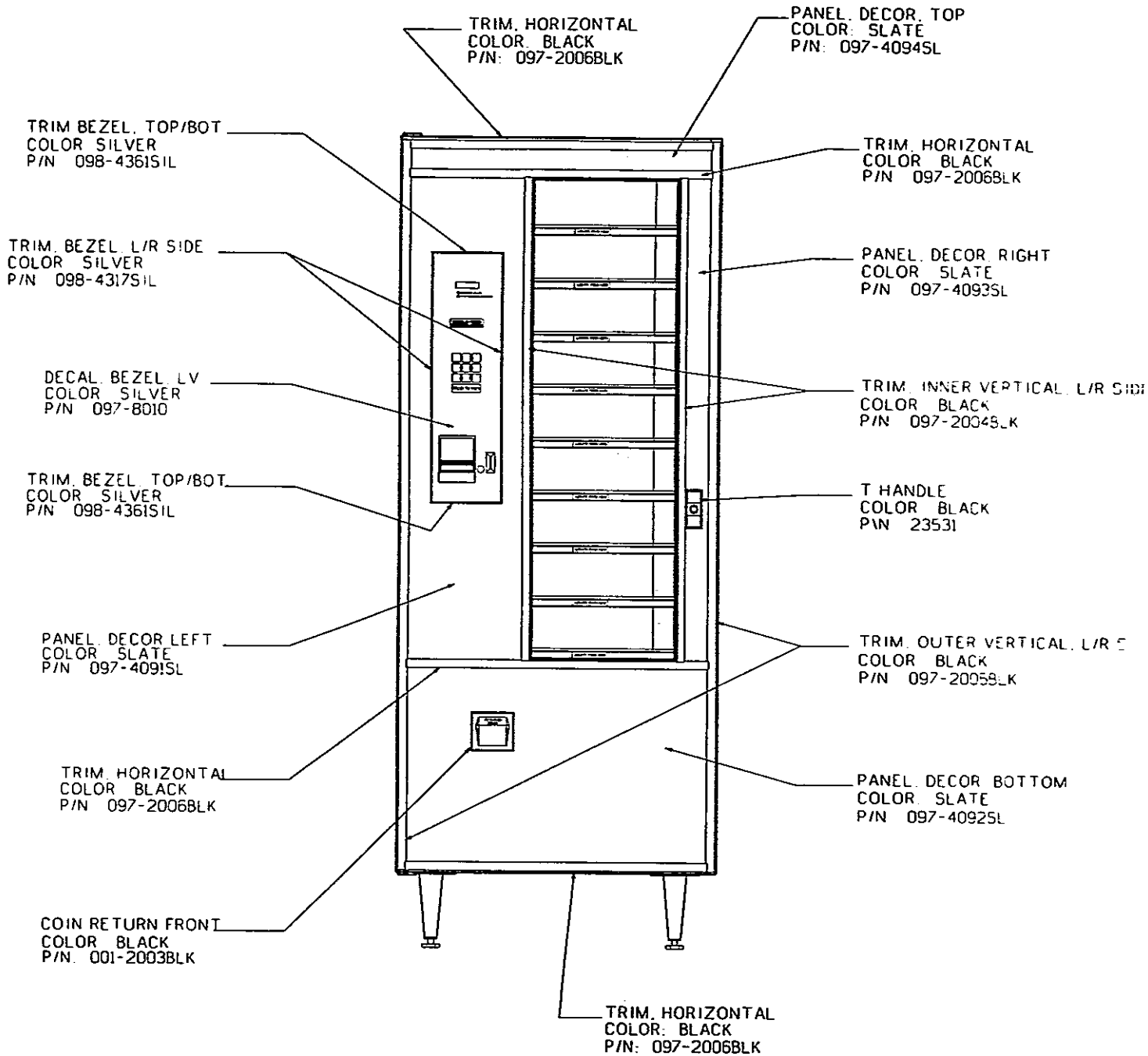
MODEL: FOOD KING  
 STYLE: PRESIDENTIAL WALNUT  
 SERIES: LEKTROVEND



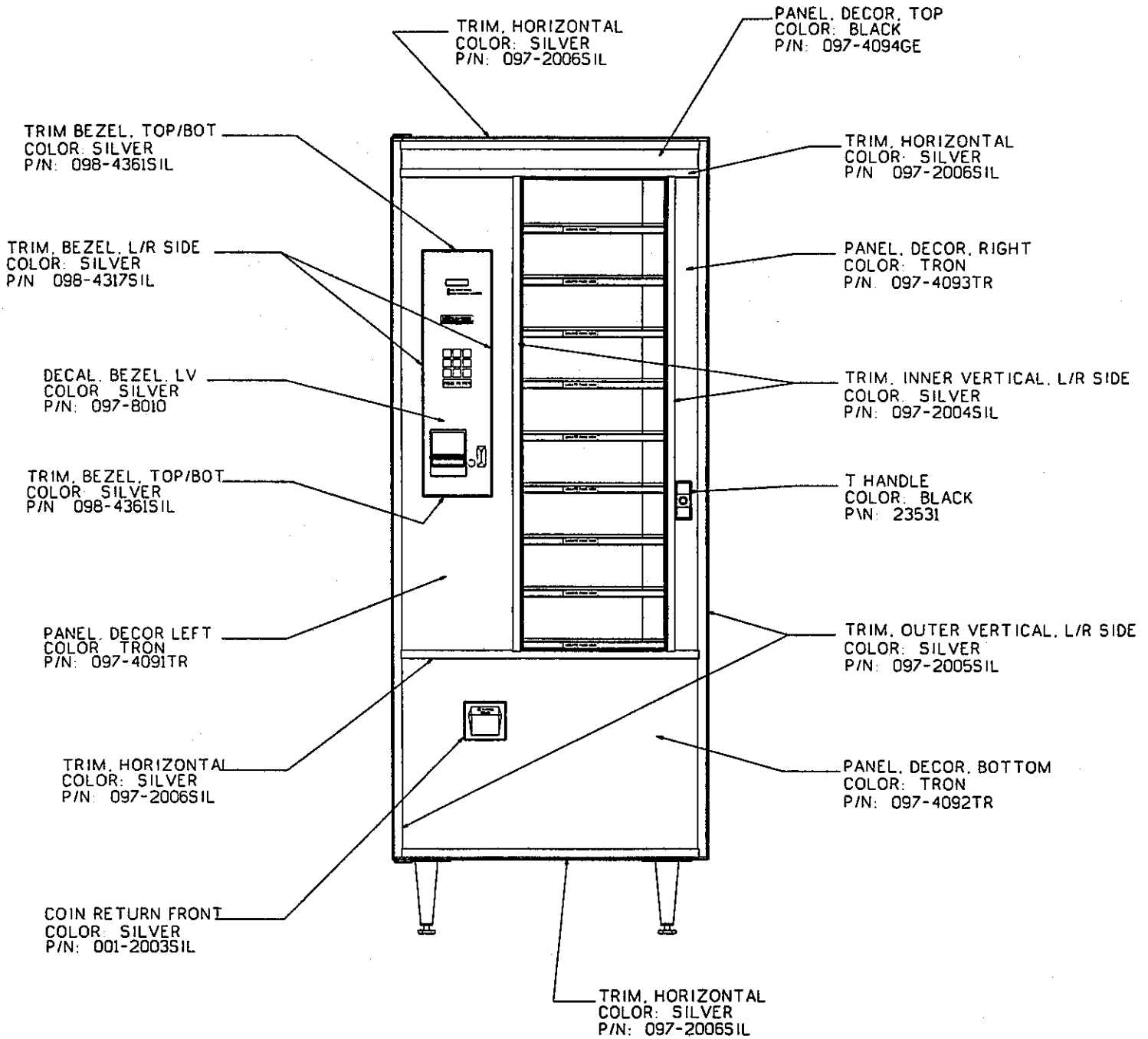
MODEL: FOOD KING  
 STYLE: IMPERIAL CROWN  
 SERIES: LEKTROVEND



MODEL: FOOD KING  
 STYLE: PICA  
 SERIES: LEKTROVEND



MODEL: FOOD KING  
 STYLE: SLATE  
 SERIES: LEKTROVEND



MODEL: FOOD KING  
 STYLE: SILVER TRON  
 SERIES: LEKTROVEND



**PLEASE REFER TO  
DIAGRAM  
DRAWING**



**Polyvend**<sup>INC.</sup>

700 South German Lane  
Conway, Arkansas 72032 USA  
(501) 327-1301

2/28/96

Part No. 097-8049

Printed in USA